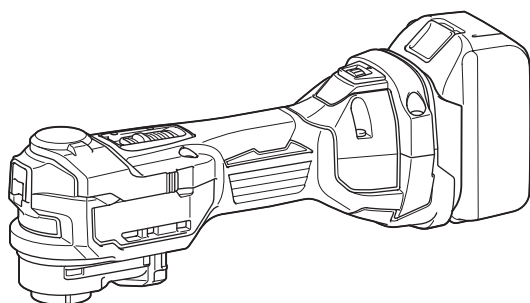


INSTRUCTION MANUAL  
MANUEL D'INSTRUCTION  
MANUAL DE INSTRUCCIONES



# Cordless Multi Tool Outil Multi-Fonctions Sans Fil Multitool Inalámbrica

## DTM52



**IMPORTANT:** Read Before Using.

**IMPORTANT :** Lire avant usage.

**IMPORTANTE:** Lea antes de usar.

## SPECIFICATIONS

Model:		DTM52
Oscillation per minute		10,000 - 20,000 /min
Oscillation angle, left/right		1.8° (3.6° total)
Overall length	with BL1820B	305 mm (12")
	with BL1860B	322 mm (12-5/8")
Net weight		1.7 - 2.0 kg (3.7 - 4.4 lbs)
Rated voltage		D.C. 18 V

- Due to our continuing program of research and development, the specifications herein are subject to change without notice.
- Specifications may differ from country to country.
- The weight may differ depending on the attachment(s), including the battery cartridge. The lightest and heaviest combination, according to EPTA-Procedure 01/2014, are shown in the table.

### Applicable battery cartridge and charger









Battery cartridge	BL1815N / BL1820B / BL1830 / BL1830B / BL1840B / BL1850B / BL1860B
Charger	DC18RC / DC18RD / DC18RE / DC18SD / DC18SE / DC18SF / DC18SH

- Some of the battery cartridges and chargers listed above may not be available depending on your region of residence.

**⚠ WARNING: Only use the battery cartridges and chargers listed above.** Use of any other battery cartridges and chargers may cause injury and/or fire.

### Applicable application tool

Use the application tool which type is adaptable to this tool as shown in the following table.

	OIS	
	STARLOCK	
	STARLOCK PLUS	
	STARLOCK MAX	

## SAFETY WARNINGS

### General power tool safety warnings

**⚠ WARNING: Read all safety warnings, instructions, illustrations and specifications provided with this power tool.** Failure to follow all instructions listed below may result in electric shock, fire and/or serious injury.

### Save all warnings and instructions for future reference.

The term "power tool" in the warnings refers to your mains-operated (corded) power tool or battery-operated (cordless) power tool.

### Work area safety

1. **Keep work area clean and well lit.** Cluttered or dark areas invite accidents.
2. **Do not operate power tools in explosive atmospheres, such as in the presence of flammable liquids, gases or dust.** Power tools create sparks which may ignite the dust or fumes.
3. **Keep children and bystanders away while operating a power tool.** Distractions can cause you to lose control.

### Electrical Safety

1. **Power tool plugs must match the outlet. Never modify the plug in any way. Do not use any adapter plugs with earthed (grounded) power tools.** Unmodified plugs and matching outlets will reduce risk of electric shock.
2. **Avoid body contact with earthed or grounded surfaces, such as pipes, radiators, ranges and refrigerators.** There is an increased risk of electric shock if your body is earthed or grounded.
3. **Do not expose power tools to rain or wet conditions.** Water entering a power tool will increase the risk of electric shock.
4. **Do not abuse the cord. Never use the cord for carrying, pulling or unplugging the power tool. Keep cord away from heat, oil, sharp edges or moving parts.** Damaged or entangled cords increase the risk of electric shock.
5. **When operating a power tool outdoors, use an extension cord suitable for outdoor use.** Use of a cord suitable for outdoor use reduces the risk of electric shock.

6. **If operating a power tool in a damp location is unavoidable, use a ground fault circuit interrupter (GFCI) protected supply.** Use of a GFCI reduces the risk of electric shock.
7. **Power tools can produce electromagnetic fields (EMF) that are not harmful to the user.** However, users of pacemakers and other similar medical devices should contact the maker of their device and/or doctor for advice before operating this power tool.
3. **Disconnect the plug from the power source and/or remove the battery pack, if detachable, from the power tool before making any adjustments, changing accessories, or storing power tools.** Such preventive safety measures reduce the risk of starting the power tool accidentally.
4. **Store idle power tools out of the reach of children and do not allow persons unfamiliar with the power tool or these instructions to operate the power tool.** Power tools are dangerous in the hands of untrained users.

#### Personal Safety

1. **Stay alert, watch what you are doing and use common sense when operating a power tool. Do not use a power tool while you are tired or under the influence of drugs, alcohol or medication.** A moment of inattention while operating power tools may result in serious personal injury.
2. **Use personal protective equipment. Always wear eye protection.** Protective equipment such as dust mask, non-skid safety shoes, hard hat, or hearing protection used for appropriate conditions will reduce personal injuries.
3. **Prevent unintentional starting. Ensure the switch is in the off-position before connecting to power source and/or battery pack, picking up or carrying the tool.** Carrying power tools with your finger on the switch or energising power tools that have the switch on invites accidents.
4. **Remove any adjusting key or wrench before turning the power tool on.** A wrench or a key left attached to a rotating part of the power tool may result in personal injury.
5. **Do not overreach. Keep proper footing and balance at all times.** This enables better control of the power tool in unexpected situations.
6. **Dress properly. Do not wear loose clothing or jewellery. Keep your hair, clothing and gloves away from moving parts.** Loose clothes, jewellery or long hair can be caught in moving parts.
7. **If devices are provided for the connection of dust extraction and collection facilities, ensure these are connected and properly used.** Use of dust collection can reduce dust-related hazards.
8. **Do not let familiarity gained from frequent use of tools allow you to become complacent and ignore tool safety principles.** A careless action can cause severe injury within a fraction of a second.
9. **Always wear protective goggles to protect your eyes from injury when using power tools. The goggles must comply with ANSI Z87.1 in the USA.**  
It is an employer's responsibility to enforce the use of appropriate safety protective equipment by the tool operators and by other persons in the immediate working area.
5. **Maintain power tools and accessories. Check for misalignment or binding of moving parts, breakage of parts and any other condition that may affect the power tool's operation. If damaged, have the power tool repaired before use.** Many accidents are caused by poorly maintained power tools.
6. **Keep cutting tools sharp and clean.** Properly maintained cutting tools with sharp cutting edges are less likely to bind and are easier to control.
7. **Use the power tool, accessories and tool bits etc. in accordance with these instructions, taking into account the working conditions and the work to be performed.** Use of the power tool for operations different from those intended could result in a hazardous situation.
8. **Keep handles and grasping surfaces dry, clean and free from oil and grease.** Slippery handles and grasping surfaces do not allow for safe handling and control of the tool in unexpected situations.
9. **When using the tool, do not wear cloth work gloves which may be entangled.** The entanglement of cloth work gloves in the moving parts may result in personal injury.

#### Battery tool use and care

1. **Recharge only with the charger specified by the manufacturer.** A charger that is suitable for one type of battery pack may create a risk of fire when used with another battery pack.
2. **Use power tools only with specifically designated battery packs.** Use of any other battery packs may create a risk of injury and fire.
3. **When battery pack is not in use, keep it away from other metal objects, like paper clips, coins, keys, nails, screws or other small metal objects, that can make a connection from one terminal to another.** Shorting the battery terminals together may cause burns or a fire.
4. **Under abusive conditions, liquid may be ejected from the battery; avoid contact. If contact accidentally occurs, flush with water. If liquid contacts eyes, additionally seek medical help.** Liquid ejected from the battery may cause irritation or burns.
5. **Do not use a battery pack or tool that is damaged or modified.** Damaged or modified batteries may exhibit unpredictable behaviour resulting in fire, explosion or risk of injury.
6. **Do not expose a battery pack or tool to fire or excessive temperature.** Exposure to fire or temperature above 130 °C may cause explosion.
1. **Do not force the power tool. Use the correct power tool for your application.** The correct power tool will do the job better and safer at the rate for which it was designed.
2. **Do not use the power tool if the switch does not turn it on and off.** Any power tool that cannot be controlled with the switch is dangerous and must be repaired.

7. **Follow all charging instructions and do not charge the battery pack or tool outside the temperature range specified in the instructions.** Charging improperly or at temperatures outside the specified range may damage the battery and increase the risk of fire.
15. **Ventilate your work area adequately when you perform sanding operations.**

#### Service

1. **Have your power tool serviced by a qualified repair person using only identical replacement parts.** This will ensure that the safety of the power tool is maintained.
2. **Never service damaged battery packs.** Service of battery packs should only be performed by the manufacturer or authorized service providers.
3. **Follow instruction for lubricating and changing accessories.**
4. **Do not modify or attempt to repair the appliance or the battery pack except as indicated in the instructions for use and care.**
16. **Use of this tool to sand some products, paints and wood could expose user to dust containing hazardous substances. Use appropriate respiratory protection.**
17. **Be sure that there are no cracks or breakage on the pad before use. Cracks or breakage may cause a personal injury.**
18. **Do not use accessories which are not specifically designed and recommended by the tool manufacturer. Just because the accessory can be attached to your power tool, it does not assure safe operation.**
19. **Wear personal protective equipment. Depending on application, use face shield, safety goggles or safety glasses. As appropriate, wear hearing protectors, gloves and workshop apron capable of stopping small abrasive or workpiece fragments. The eye protection must be capable of stopping flying debris generated by various operations. The dust mask or respirator must be capable of filtering particles generated by your operation. Prolonged exposure to high intensity noise may cause hearing loss.**

### Cordless multi tool safety warnings



1. **This power tool is intended to function for sawing, cutting, scraping and sanding. Read all safety warnings, instructions, illustrations and specifications provided with this power tool.** Failure to follow all instructions listed below may result in electric shock, fire and/or serious injury.
2. **Hold power tool by insulated gripping surfaces, when performing an operation where the cutting accessory may contact hidden wiring.** Cutting accessory contacting a "live" wire may make exposed metal parts of the power tool "live" and could give the operator an electric shock.
3. **Use clamps or another practical way to secure and support the workpiece to a stable platform.** Holding the work by hand or against your body leaves it unstable and may lead to loss of control.
4. **Always use safety glasses or goggles. Ordinary eye or sun glasses are NOT safety glasses.**
5. **Hold the tool firmly.**
6. **Make sure the application tool is not contacting the workpiece before the switch is turned on.**
7. **Keep hands away from moving parts.**
8. **Do not leave the tool running. Operate the tool only when hand-held.**
9. **Always switch off and wait for the blade to come to a complete stop before removing the blade from the workpiece.**
10. **Do not touch the application tool or the workpiece immediately after operation; they may be extremely hot and could burn your skin.**
11. **Do not operate the tool at no-load unnecessarily.**
12. **Always use the correct dust mask/respirator for the material and application you are working with.**
13. **Some material contains chemicals which may be toxic. Take caution to prevent dust inhalation and skin contact. Follow material supplier safety data.**
14. **This tool has not been waterproofed, so do not use water on the workpiece surface.**
20. **Keep bystanders a safe distance away from work area. Anyone entering the work area must wear personal protective equipment.** Fragments of workpiece or of a broken accessory may fly away and cause injury beyond immediate area of operation.
21. **Never lay the power tool down until the accessory has come to a complete stop.** The spinning accessory may grab the surface and pull the power tool out of your control.
22. **Do not run the power tool while carrying it at your side.** Accidental contact with the accessory could snag your clothing, pulling the accessory into your body.
23. **Do not operate the power tool near flammable materials.** Sparks could ignite these materials.
24. **Do not use accessories that require liquid coolants.** Using water or other liquid coolants may result in electrocution or shock.
25. **Always be sure that the tool is switched off and unplugged or that the battery cartridge is removed before carrying out any work on the tool.**
26. **Always be sure you have a firm footing. Be sure no one is below when using the tool in high locations.**
27. **Before operation, make sure that there is no buried object such as electric pipe, water pipe or gas pipe in the workpiece.** Otherwise, it may cause an electric shock, electrical leakage or gas leak.

### SAVE THESE INSTRUCTIONS.

**⚠WARNING:** DO NOT let comfort or familiarity with product (gained from repeated use) replace strict adherence to safety rules for the subject product. MISUSE or failure to follow the safety rules stated in this instruction manual may cause serious personal injury.

## Symbols

The followings show the symbols used for tool.

V	volts
 	direct current
n <sub>0</sub>	no load speed
... /min r /min	revolutions or reciprocation per minute

## Important safety instructions for battery cartridge

1. Before using battery cartridge, read all instructions and cautionary markings on (1) battery charger, (2) battery, and (3) product using battery.
2. Do not disassemble or tamper with the battery cartridge. It may result in a fire, excessive heat, or explosion.
3. If operating time has become excessively shorter, stop operating immediately. It may result in a risk of overheating, possible burns and even an explosion.

4. If electrolyte gets into your eyes, rinse them out with clear water and seek medical attention right away. It may result in loss of your eyesight.

5. Do not short the battery cartridge:

- (1) Do not touch the terminals with any conductive material.
- (2) Avoid storing battery cartridge in a container with other metal objects such as nails, coins, etc.
- (3) Do not expose battery cartridge to water or rain.

A battery short can cause a large current flow, overheating, possible burns and even a breakdown.

6. Do not store and use the tool and battery cartridge in locations where the temperature may reach or exceed 50 °C (122 °F).
7. Do not incinerate the battery cartridge even if it is severely damaged or is completely worn out. The battery cartridge can explode in a fire.
8. Do not nail, cut, crush, throw, drop the battery cartridge, or hit against a hard object to the battery cartridge. Such conduct may result in a fire, excessive heat, or explosion.
9. Do not use a damaged battery.
10. The contained lithium-ion batteries are subject to the Dangerous Goods Legislation requirements.

For commercial transports e.g. by third parties, forwarding agents, special requirement on packaging and labeling must be observed. For preparation of the item being shipped, consulting an expert for hazardous material is required. Please also observe possibly more detailed national regulations. Tape or mask off open contacts and pack up the battery in such a manner that it cannot move around in the packaging.

11. When disposing the battery cartridge, remove it from the tool and dispose of it in a safe place. Follow your local regulations relating to disposal of battery.
12. Use the batteries only with the products specified by Makita. Installing the batteries to non-compliant products may result in a fire, excessive heat, explosion, or leak of electrolyte.
13. If the tool is not used for a long period of time, the battery must be removed from the tool.
14. During and after use, the battery cartridge may take on heat which can cause burns or low temperature burns. Pay attention to the handling of hot battery cartridges.
15. Do not touch the terminal of the tool immediately after use as it may get hot enough to cause burns.
16. Do not allow chips, dust, or soil stuck into the terminals, holes, and grooves of the battery cartridge. It may result in poor performance or breakdown of the tool or battery cartridge.
17. Unless the tool supports the use near high-voltage electrical power lines, do not use the battery cartridge near high-voltage electrical power lines. It may result in a malfunction or breakdown of the tool or battery cartridge.
18. Keep the battery away from children.

## SAVE THESE INSTRUCTIONS.

**CAUTION:** Only use genuine Makita batteries. Use of non-genuine Makita batteries, or batteries that have been altered, may result in the battery bursting causing fires, personal injury and damage. It will also void the Makita warranty for the Makita tool and charger.

## Tips for maintaining maximum battery life

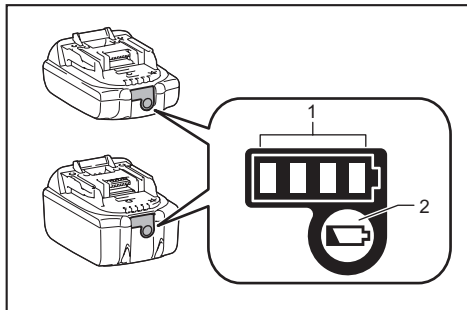
1. Charge the battery cartridge before completely discharged. Always stop tool operation and charge the battery cartridge when you notice less tool power.
2. Never recharge a fully charged battery cartridge. Overcharging shortens the battery service life.
3. Charge the battery cartridge with room temperature at 10 °C - 40 °C (50 °F - 104 °F). Let a hot battery cartridge cool down before charging it.
4. When not using the battery cartridge, remove it from the tool or the charger.
5. Charge the battery cartridge if you do not use it for a long period (more than six months).

# FUNCTIONAL DESCRIPTION

**CAUTION:** Always be sure that the tool is switched off and the battery cartridge is removed before adjusting or checking function on the tool.

## Indicating the remaining battery capacity

Only for battery cartridges with the indicator



► 1. Indicator lamps 2. Check button

Press the check button on the battery cartridge to indicate the remaining battery capacity. The indicator lamps light up for a few seconds.

Indicator lamps			Remaining capacity
Lighted	Off	Blinking	
■	■	■	75% to 100%
■	■	■	50% to 75%
■	□	□	25% to 50%
■	□	□	0% to 25%
▣	□	□	Charge the battery.
■	■	□	The battery may have malfunctioned.
□	□	■	

**NOTE:** Depending on the conditions of use and the ambient temperature, the indication may differ slightly from the actual capacity.

**NOTE:** The first (far left) indicator lamp will blink when the battery protection system works.

## Tool / battery protection system

The tool is equipped with a tool/battery protection system. This system automatically cuts off power to the motor to extend tool and battery life. The tool will automatically stop during operation if the tool or battery is placed under one of the following conditions:

## Overload alert function

The overload alert function may work if the current rises sharply due to the operation such as applying too much pressure onto a workpiece.

The overload alert function decline the speed of the oscillation and then increases the amplitude of vibration.

In this case, once isolate the application tool from the workpiece, then the speed of the oscillation goes back. Continue operation with an appropriate load.

## Overload protection

When the tool/battery is operated in a manner that causes it to draw an abnormally high current, the tool stops automatically. In this situation, turn the tool off and stop the application that caused the tool to become overloaded. Then turn the tool on to restart.

## Overheat protection

When the tool/battery is overheated, the tool stops automatically. In this situation, let the tool/battery cool before turning the tool on again.

## Overdischarge protection

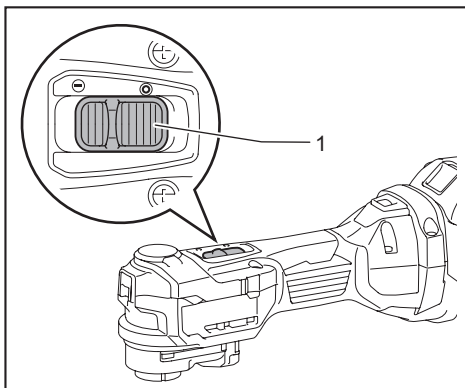
When the battery capacity is not enough, the tool stops automatically. In this case, remove the battery from the tool and charge the battery.

## Protection lock function

When the protection system works repeatedly, the tool is locked. In this situation, the tool does not start even if turning the tool off and on. To release the protection lock, remove the battery, set it to the battery charger and wait until the charging finishes.

## Switch action

**CAUTION:** Before installing the battery cartridge into the tool, always check to see that the tool is switched off.

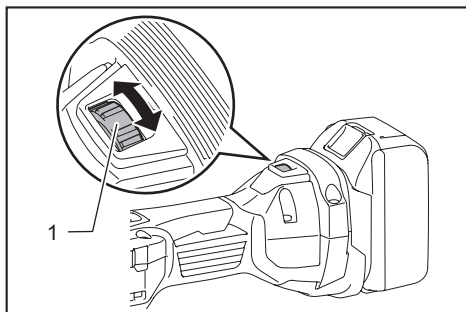


► 1. Slide switch

To start the tool, slide the slide switch toward the "I (ON)" position.

To stop the tool, slide the slide switch toward the "O (OFF)" position.

## Adjusting the orbital stroke rate



► 1. Dial

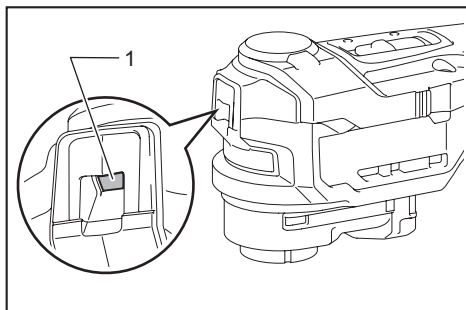
The orbital stroke rate is adjustable. To change the orbital stroke rate, turn the dial between 1 and 6. The higher the number is, the higher the orbital stroke rate is. Preset the dial to the number suitable for your workpiece.

**NOTE:** The dial cannot be turned directly from 1 to 6 or from 6 to 1. Forcing the dial may damage the tool. When changing the dial direction, always turn the dial moving it through each intermediate number.

## Lighting up the front lamp

**CAUTION:** Do not look in the light or see the source of light directly.

Slide the slide switch toward the "I (ON)" position to light up the front lamp. The lamp keeps on lighting while the switch is the "I (ON)" position. The front lamp goes out 10 seconds after sliding switch toward the "O (OFF)" position.



► 1. Front lamp

**NOTE:** When the overheat protection or the protection lock function is working, the front lamp blinks for about 1 minutes. Refer the section for the tool / battery protection system.

## Electronic function

The tool is equipped with the electronic functions for easy operation.

### Constant speed control

The speed control function provides the constant orbital stroke rate regardless of load conditions.

### Soft start feature

Soft start feature reduces starting reaction.

## Accidental re-start preventive function

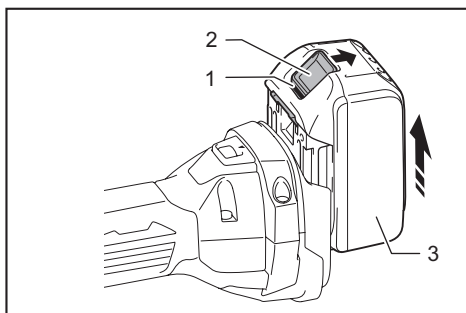
When installing the battery cartridge while the slide switch in the "I (ON)" position, the tool does not start. To start the tool, first slide the slide switch toward the "O (OFF)" position and then slide it toward the "I (ON)" position.

## ASSEMBLY

### Installing or removing battery cartridge

**CAUTION:** Always switch off the tool before installing or removing of the battery cartridge.

**CAUTION:** Hold the tool and the battery cartridge firmly when installing or removing battery cartridge. Failure to hold the tool and the battery cartridge firmly may cause them to slip off your hands and result in damage to the tool and battery cartridge and a personal injury.



► 1. Red indicator 2. Button 3. Battery cartridge

To remove the battery cartridge, slide it from the tool while sliding the button on the front of the cartridge.

To install the battery cartridge, align the tongue on the battery cartridge with the groove in the housing and slip it into place. Insert it all the way until it locks in place with a little click. If you can see the red indicator as shown in the figure, it is not locked completely.



**CAUTION:** Always install the battery cartridge fully until the red indicator cannot be seen. If not, it may accidentally fall out of the tool, causing injury to you or someone around you.

**CAUTION:** Do not install the battery cartridge forcibly. If the cartridge does not slide in easily, it is not being inserted correctly.

**CAUTION:** Always be sure that the tool is switched off and the battery cartridge is removed before carrying out any work on the tool.

## Installing or removing application tool

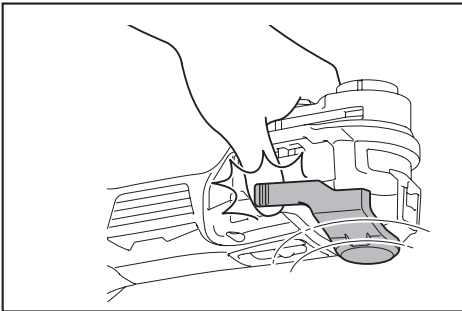
### Optional accessory

**WARNING:** Do not install application tool upside down. Installing application tool upside down may damage the tool and cause serious personal injury.

**CAUTION:** Clean up dust and perform lubrication on the moving part of the lock lever from time to time. Otherwise dust may accumulate in the moving part of the lock lever and hinder its smooth movement.

**CAUTION:** Be careful when closing the lock lever.

Hold the tool firmly when installing or removing the application tool. Do not put your hand around the original position of the lock lever. The lock lever may close suddenly and pinch your finger.

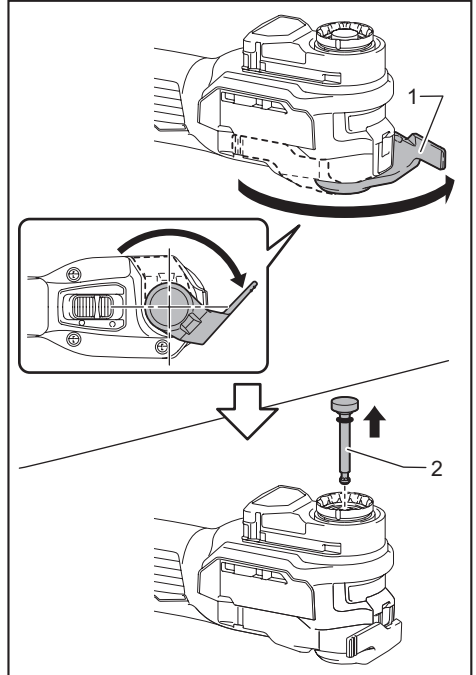


**NOTICE:** Install application tool in the correct direction according to your work. Application tool can be installed at an angle of every 30 degree.

**NOTICE:** Do not start the tool while the lever opens. The tool may be damaged.

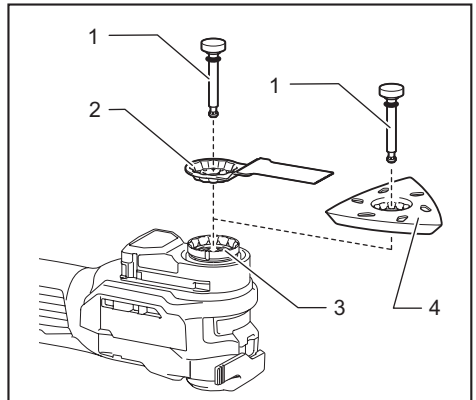
1. Open the lock lever fully until it sounds a click. Remove the holder bolt.

When the lock lever is fully opened, the position of the lock lever is maintained even if you release your hand.



► 1. Lock lever 2. Holder bolt

2. Put an application tool (optional accessory) into the tool flange. And then, insert the holder bolt until it stops.

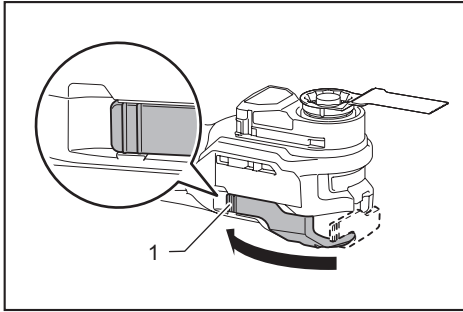


► 1. Holder bolt 2. Application tool 3. Tool flange  
4. Application tool (sanding pad)



### 3. Return the lock lever to its original position.

Always make sure that the application tool is securely held in place.



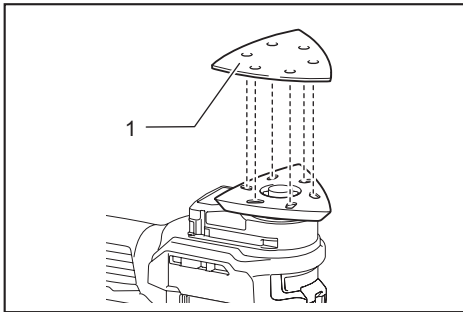
► 1. Lock lever

To remove the application tool, follow the installation procedures in reverse.

**⚠ CAUTION:** When removing the application tool, do not touch the application tool or the workpiece immediately after operation; they may be extremely hot and could burn your skin.

## Using sanding application tool

When using sanding application tool, mount the application tool on the sanding pad so that it matches the sanding pad direction. The sanding pad has a hook and loop type fitting system which allows easy and rapid fitting of a sanding paper. As sanding papers have holes for dust extraction, mount a sanding paper so that the holes in a sanding paper match those in the sanding pad.



► 1. Sanding paper

To remove a sanding paper, raise its end and peel it off.

## OPERATION

**⚠ WARNING:** Before starting the tool and during operation, keep your hand and face away from the application tool.

**⚠ CAUTION:** Do not apply excessive load to the tool which may cause a motor lock and stop the tool.

**⚠ CAUTION:** Do not operate the tool with pressing the battery cartridge against the tool.

**NOTICE:** If you operate the tool with forcing or excessive pressure, the overload alert may work and then the amplitude of vibration increase.

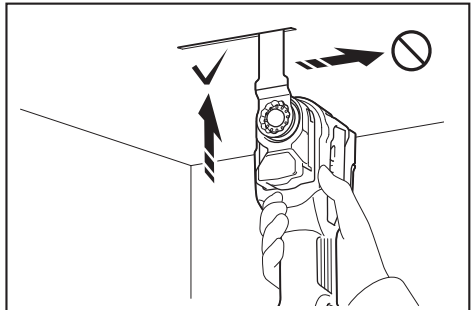
In this case, once isolate the application tool from the workpiece, then the speed of the oscillation goes back. Continue operation with an appropriate load.

## Cutting, sawing and scraping

**NOTICE:** Do not move on the tool forcibly in the direction (e.g. towards either side) of the application tool with no cutting edge. It may damage the tool.

**NOTICE:** Operate the tool with appropriate load. Forcing or excessive pressure on the tool may reduce efficiency.

Especially when operating the tool with a long blade (e.g. plunge cut saw blade), applying too much pressure that the blade bends may not only reduce efficiency but also activate the protection system.



Put the application tool on the workpiece. And then move the tool forward so that the application tool movement does not slow down.

**NOTE:** Before cutting operation, it is recommended to preset the orbital stroke rate 4 - 6.

**NOTE:** An adequate movement speed of the tool makes saw dust ejected smoothly. It helps efficient operation.

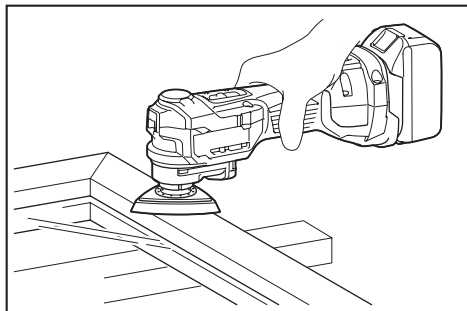
**NOTE:** The round saw is recommended for cutting long straight line.

## Sanding

**NOTICE:** Do not reuse a sanding paper used for sanding metal to sand wood.

**NOTICE:** Do not use a worn sanding paper or sanding paper without grit.

Apply a sanding paper on the workpiece.



**NOTE:** Before the operation, it is recommended to determine a suitable orbital stroke rate by sanding a test material sample as trial.

**NOTE:** It is recommended not to change the grid of the sanding paper until you finish sanding the whole surface of the workpiece. Changing the grid of the sanding paper on the half way may cause an unfinish.

## Dust attachment for sanding operation

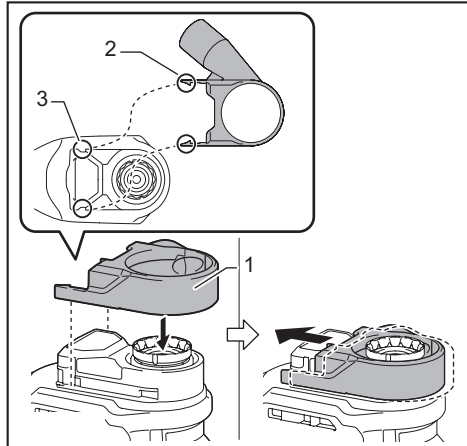
### Optional accessory

**CAUTION:** Do not use the dust extraction attachment when sanding metal. Sucking spark and hot particle results in smoking and ignition.

## Installing the dust attachment

1. Remove the holder bolt and the application tool.
2. Put the dust attachment with the latches aligned with the notches on the tool.

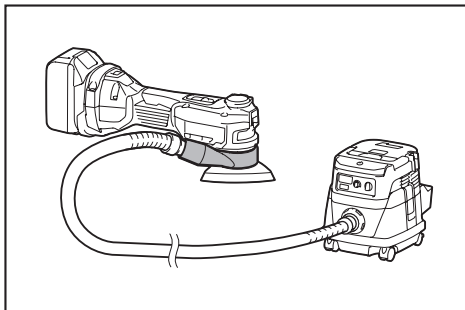
Slide the dust attachment as shown in the illustration.



► 1. Dust attachment 2. Latch 3. Notch

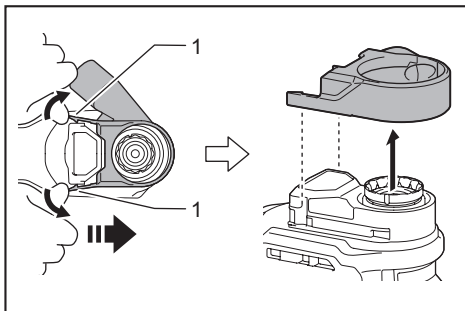
3. Install the sanding pad and the holder bolt.

4. Connect the hose of the vacuum cleaner to the dust extraction attachment.



## Removing the dust attachment

1. When removing the dust attachment, remove the holder bolt and the sanding pad.
2. Slide the dust attachment while opening the latches by hands as shown in the illustration, and then remove the dust attachment from the tool.



► 1. Latch

## MAINTENANCE

**CAUTION:** Always be sure that the tool is switched off and the battery cartridge is removed before attempting to perform inspection or maintenance.

**NOTICE:** Never use gasoline, benzine, thinner, alcohol or the like. Discoloration, deformation or cracks may result.

To maintain product SAFETY and RELIABILITY, repairs, any other maintenance or adjustment should be performed by Makita Authorized or Factory Service Centers, always using Makita replacement parts.

## OPTIONAL ACCESSORIES

**⚠ CAUTION:** These accessories or attachments are recommended for use with your Makita tool specified in this manual. The use of any other accessories or attachments might present a risk of injury to persons. Only use accessory or attachment for its stated purpose.

If you need any assistance for more details regarding these accessories, ask your local Makita Service Center.

- Segment saw blade
- Round saw blade
- Plunge cut saw blade
- Scraper (rigid)
- Scraper (flexible)
- Serrated seg blade
- General joint cutter
- HM remover
- HM seg saw blade
- HM sanding plate
- Diamond seg sawblade
- Sanding pad
- Abrasive paper delta (red / white / black)
- Fleece delta (medium / coarse / without grit)
- Polishing felt delta
- Dust extraction attachment
- Makita genuine battery and charger

**NOTE:** Some items in the list may be included in the tool package as standard accessories. They may differ from country to country.

## MAKITA LIMITED WARRANTY

Please refer to the annexed warranty sheet for the most current warranty terms applicable to this product. If annexed warranty sheet is not available, refer to the warranty details set forth at below website for your respective country.

United States of America: [www.makitatools.com](http://www.makitatools.com)

Canada: [www.makita.ca](http://www.makita.ca)

Other countries: [www.makita.com](http://www.makita.com)

## SPÉCIFICATIONS

Modèle :		DTM52
Oscillations par minute		10 000 - 20 000 /min
Angle d'oscillation, gauche/droite		1,8° (3,6° au total)
Longueur hors-tout	avec BL1820B	305 mm (12")
	avec BL1860B	322 mm (12-5/8")
Poids net		1,7 - 2,0 kg (3,7 - 4,4 lbs)
Tension nominale		C.C. 18 V

- Étant donné l'évolution constante de notre programme de recherche et développement, les spécifications contenues dans ce manuel sont sujettes à modification sans préavis.
- Les spécifications peuvent varier suivant les pays.
- Le poids peut varier selon les accessoires, y compris la batterie. La plus légère et la plus lourde combinaisons, selon la procédure EPTA 01/2014, sont indiquées dans le tableau.

## Batteries et chargeurs applicables









Batterie	BL1815N / BL1820B / BL1830 / BL1830B / BL1840B / BL1850B / BL1860B
Chargeur	DC18RC / DC18RD / DC18RE / DC18SD / DC18SE / DC18SF / DC18SH

- Suivant la région où vous habitez, il se peut que certaines des batteries et certains des chargeurs énumérés ci-dessus ne soient pas disponibles.

**⚠ MISE EN GARDE :** Utilisez exclusivement les batteries et chargeurs énumérés ci-dessus. L'utilisation de toute autre batterie ou tout autre chargeur peut entraîner une blessure et/ou un incendie.

## Outil d'application applicable

Utilisez l'outil d'application dont le type est adaptable à cet outil, comme illustré dans le tableau suivant.

	OIS	
	STARLOCK	
	STARLOCK PLUS	
	STARLOCK MAX	

## CONSIGNES DE SÉCURITÉ

### Consignes de sécurité générales pour outils électriques

**⚠ MISE EN GARDE :** Lisez toutes les mises en garde, instructions, illustrations et spécifications qui accompagnent cet outil électrique. Il y a risque de décharge électrique, d'incendie et/ou de blessure grave si les instructions ci-dessous ne sont pas toutes respectées.

### Conservez toutes les mises en garde et instructions pour référence future.

Le terme « outil électrique » qui figure dans les avertissements fait référence à un outil électrique branché sur une prise de courant (par un cordon d'alimentation) ou alimenté par batterie (sans fil).

#### Sécurité de la zone de travail

1. **Maintenez la zone de travail propre et bien éclairée.** Les zones de travail encombrées ou sombres ouvrent grande la porte aux accidents.
2. **N'utilisez pas les outils électriques dans les atmosphères explosives, par exemple en présence de liquides, gaz ou poussières inflammables.** Les outils électriques produisent des étincelles au contact desquelles la poussière ou les vapeurs peuvent s'enflammer.
3. **Assurez-vous qu'aucun enfant ou curieux ne s'approche pendant que vous utilisez un outil électrique.** Vous risquez de perdre la maîtrise de l'outil si votre attention est détournée.

#### Sécurité en matière d'électricité

1. **Les fiches d'outil électrique sont conçues pour s'adapter parfaitement aux prises de courant. Ne modifiez jamais la fiche de quelque façon que ce soit. N'utilisez aucun adaptateur de fiche sur les outils électriques avec mise à la terre.** En ne modifiant pas les fiches et en les insérant dans des prises de courant pour lesquelles elles ont été conçues, vous réduirez les risques de choc électrique.

2. **Évitez tout contact corporel avec les surfaces mises à la terre, telles que tuyaux, radiateurs, cuisinières et réfrigérateurs.** Le risque de choc électrique est plus élevé si votre corps se trouve mis à la terre.
3. **N'exposez pas les outils électriques à la pluie ou à l'eau.** La présence d'eau dans un outil électrique augmente le risque de choc électrique.
4. **Ne maltraitez pas le cordon. N'utilisez jamais le cordon pour transporter, tirer ou débrancher l'outil électrique. Maintenez le cordon à l'écart des sources de chaleur, de l'huile, des objets à bords tranchants et des pièces en mouvement.** Le risque de choc électrique est plus élevé lorsque les cordons sont endommagés ou enchevêtrés.
5. **Lorsque vous utilisez un outil électrique à l'extérieur, utilisez un cordon prolongateur conçu pour l'usage extérieur.** Les risques de choc électrique est moindre lorsqu'un cordon conçu pour l'usage extérieur est utilisé.
6. **Si vous devez utiliser un outil électrique dans un endroit humide, utilisez une source d'alimentation protégée par un disjoncteur de fuite à la terre.** L'utilisation d'un disjoncteur de fuite à la terre réduit le risque de choc électrique.
7. **Les outils électriques peuvent produire des champs électromagnétiques (CEM) qui ne sont pas préjudiciables à l'utilisateur.** Les utilisateurs de stimulateur cardiaque ou autres appareils médicaux similaires doivent toutefois demander conseil au fabricant et/ou à leur médecin avant d'utiliser cet outil électrique.
6. **Portez des vêtements adéquats. Ne portez ni vêtements amples ni bijoux. Gardez vos cheveux, vêtements et gants à l'écart des pièces en mouvement.** Les vêtements amples, bijoux ou cheveux longs peuvent être happés par les pièces en mouvement.
7. **Si des accessoires sont fournis pour raccorder un appareil d'aspiration et de collecte de la poussière, assurez-vous qu'ils sont correctement raccordés et qu'ils sont utilisés de manière adéquate.** L'utilisation d'un appareil de collecte permet de réduire les risques liés à la présence de poussière dans l'air.
8. **Évitez d'être complaisant et d'ignorer les principes de sécurité de l'outil en raison de la familiarité acquise par un usage fréquent des outils.** Un geste imprudent peut entraîner une grave blessure en une fraction de seconde.
9. **Portez toujours des lunettes à coques de protection pour protéger vos yeux contre les blessures lors de l'utilisation d'outils électriques. Les lunettes à coques doivent être conformes à ANSI Z87.1 aux États-Unis.** L'employeur a la responsabilité d'imposer l'utilisation d'équipements de protection de sécurité adéquats aux utilisateurs des outils électriques et à toute autre personne se trouvant dans la zone de travail immédiate.

#### Utilisation et entretien des outils électriques

1. **Ne forcez pas l'outil électrique. Utilisez l'outil électrique adéquat suivant le type de travail à effectuer.** Si vous utilisez l'outil électrique adéquat et respectez le régime pour lequel il a été conçu, il effectuera un travail de meilleure qualité et plus sécuritaire.
2. **N'utilisez pas l'outil électrique s'il n'est pas possible de l'allumer et de l'éteindre avec son interrupteur.** Un outil électrique dont l'interrupteur est défectueux représente un danger et doit être réparé.
3. **Avant d'effectuer tout réglage, de remplacer un accessoire ou de ranger l'outil électrique, débranchez la fiche de la source d'alimentation et/ou retirez la batterie de l'outil électrique si elle est amovible.** Ces mesures préventives de sécurité réduisent les risques de démarrage accidentel de l'outil électrique.
4. **Après l'utilisation d'un outil électrique, rangez-le hors de portée des enfants et ne laissez aucune personne l'utiliser si elle n'est pas familiarisée avec l'outil électrique ou les présentes instructions d'utilisation.** Les outils électriques représentent un danger entre les mains de personnes qui n'en connaissent pas le mode d'utilisation.
5. **Effectuez l'entretien des outils électriques et des accessoires. Assurez-vous que les pièces mobiles ne sont pas désalignées ou coincées, qu'aucune pièce n'est cassée et que l'outil électrique n'a subi aucun dommage affectant son bon fonctionnement. Le cas échéant, faites réparer l'outil électrique avant de l'utiliser.** De nombreux accidents sont causés par des outils électriques mal entretenus.
6. **Maintenez les outils tranchants bien aiguisés et propres.** Un outil tranchant dont l'entretien est effectué correctement et dont les bords sont bien aiguisés risquera moins de se coincer et sera plus facile à maîtriser.

#### Sécurité personnelle

1. **Restez alerte, attentif à vos mouvements et faites preuve de bon sens lorsque vous utilisez un outil électrique. N'utilisez pas les outils électriques si vous êtes fatigué ou avez pris une drogue, de l'alcool ou un médicament.** Un moment d'inattention pendant l'utilisation d'un outil électrique peut entraîner une grave blessure.
2. **Portez des dispositifs de protection personnelle. Portez toujours une protection oculaire.** Les risques de blessure seront moins élevés si vous utilisez des dispositifs de protection tels qu'un masque anti-poussière, des chaussures à semelle antidérapante, une coiffure résistante ou une protection d'oreilles.
3. **Évitez les démarrages accidentels. Assurez-vous que l'interrupteur est en position d'arrêt avant de brancher l'outil à la prise de courant et/ou au bloc-piles, et avant de prendre ou de transporter l'outil.** Vous ouvrez la porte aux accidents si vous transportez les outils électriques avec le doigt sur l'interrupteur ou si vous les branchez alors que l'interrupteur est en position de marche.
4. **Retirez toute clé de réglage ou de serrage avant de mettre l'outil électrique sous tension.** Toute clé laissée en place sur une pièce rotative de l'outil électrique peut entraîner une blessure.
5. **Ne vous étirez pas exagérément. Assurez-vous d'une bonne prise au sol et d'un bon équilibre en tout temps.** Cela vous permettra d'avoir une meilleure maîtrise de l'outil électrique dans les situations imprévues.

7. **Utilisez l'outil électrique, ses accessoires, ses embouts, etc., en respectant les présentes instructions, en tenant compte des conditions de travail et du type de travail à effectuer.**  
L'utilisation d'un outil électrique pour d'autres usages que ceux prévus peut entraîner une situation dangereuse.
8. **Gardez les poignées et surfaces de saisie sèches, propres et exemptes d'huile et de graisse.** Les poignées et surfaces de saisie glissantes ne permettent pas une manipulation sûre et une bonne maîtrise de l'outil dans les situations inattendues.
9. **Lors de l'utilisation de l'outil, ne portez pas de gants de travail en tissu qui risquent de s'enchevêtrer dans l'outil.** L'enchevêtrement de gants de travail en tissu dans les pièces en mouvement peut entraîner une blessure.

#### Utilisation et entretien des outils alimentés par batterie

1. **Pour recharger, utilisez uniquement le chargeur spécifié par le fabricant.** L'utilisation d'un chargeur conçu pour un type donné de bloc-piles comporte un risque d'incendie lorsqu'il est utilisé avec un autre type de bloc-piles.
2. **N'utilisez un outil électrique qu'avec les bloc-piles conçu spécifiquement pour cet outil.** Il y a un risque de blessure ou d'incendie si un autre bloc-piles est utilisé.
3. **Lorsque vous n'utilisez pas le bloc-piles, rangez-le à l'écart des objets métalliques tels que trombones, pièces de monnaie, clés, clous, vis ou autres petits objets métalliques qui risqueraient d'établir une connexion entre les bornes.** La mise en court-circuit des bornes de batterie peut causer des brûlures ou un incendie.
4. **Dans des conditions d'utilisation inadéquates de la batterie, il peut y avoir fuite d'électrolyte; évitez tout contact avec ce liquide. En cas de contact accidentel, rincez avec beaucoup d'eau. Si le liquide pénètre dans vos yeux, il faut aussi consulter un médecin.** L'électrolyte qui s'échappe de la batterie peut causer des irritations ou des brûlures.
5. **N'utilisez pas une batterie ou un outil s'il est endommagé ou modifié.** Les batteries endommagées ou modifiées peuvent avoir un comportement imprévisible dont peut résulter un incendie, une explosion ou un risque de blessure.
6. **N'exposez pas une batterie ou un outil au feu ou à une température excessive.** L'exposition au feu ou à une température supérieure à 130 °C peut entraîner une explosion.
7. **Suivez toutes les instructions de charge et ne chargez pas la batterie ou l'outil à l'extérieur de la plage de température spécifiée dans les instructions.** Charger de manière inadéquate ou à des températures hors de la plage spécifiée peut endommager la batterie et augmenter le risque d'incendie.

#### Réparation

1. **Faites réparer votre outil électrique par un réparateur qualifié qui utilise des pièces de rechange identiques aux pièces d'origine.** Le maintien de la sûreté de l'outil électrique sera ainsi assuré.

2. **N'essayez jamais de réparer les batteries endommagées.** La réparation des batteries ne doit être effectuée que par le fabricant ou par un fournisseur de service après-vente agréé.
3. **Suivez les instructions de lubrification et de remplacement des accessoires.**
4. **Ne modifiez pas ou n'essayez pas de réparer l'appareil ou la batterie autrement que tel qu'indiqué dans les instructions d'utilisation et d'entretien.**

### Consignes de sécurité pour l'outil multi-fonctions sans fil

1. **Cet outil électrique est conçu pour scier, couper, racler et poncer. Veuillez lire l'ensemble des consignes de sécurité, instructions, illustrations et spécifications fournies pour cet outil électrique.** Il existe un risque de décharge électrique, d'incendie et/ou de blessure grave si toutes les instructions énumérées ci-dessous ne sont pas respectées.
2. **Tenez l'outil électrique par ses surfaces de prise isolées pendant toute opération où l'accessoire de coupe pourrait venir en contact avec un câblage dissimulé.** En cas de contact de l'accessoire de coupe avec un fil sous tension, les pièces métalliques à découvert de l'outil électrique pourraient se mettre sous tension et risqueraient de transmettre une décharge électrique à l'utilisateur.
3. **Utilisez des dispositifs de serrage ou un autre moyen pratique pour soutenir la pièce en la fixant à une surface de travail stable.** La pièce sera instable et vous risquez d'en perdre la maîtrise si vous la tenez avec une main ou l'appuyez simplement contre une partie du corps.
4. **Portez toujours des lunettes de sécurité ou des lunettes à coques.** Les lunettes ordinaires et les lunettes de soleil NE sont PAS des lunettes de sécurité.
5. **Tenez l'outil fermement.**
6. **Assurez-vous que l'outil d'application n'entre pas en contact avec la pièce avant de mettre l'outil sous tension.**
7. **Gardez vos mains éloignées des pièces mobiles.**
8. **N'abandonnez pas l'outil alors qu'il tourne. Ne faites fonctionner l'outil qu'une fois que vous l'avez bien en main.**
9. **Avant de retirer la lame de la pièce, coupez toujours le contact et attendez l'arrêt complet de la lame.**
10. **Ne touchez ni l'outil d'application ni la pièce immédiatement après l'exécution du travail.** Ils risquent d'être extrêmement chauds et de vous brûler la peau.
11. **Ne faites pas tourner inutilement l'outil à vide.**
12. **Utilisez toujours un masque antipoussières ou un masque filtrant approprié au matériau à travailler et à l'application utilisée.**
13. **Certains matériaux contiennent des produits chimiques qui peuvent être toxiques. Prenez les précautions nécessaires pour éviter l'inhalation de ces poussières ou leur contact avec la peau. Conformez-vous aux consignes de sécurité du fournisseur du matériau.**

14. Cet outil n'ayant pas été imperméabilisé, n'utilisez pas d'eau sur la surface de la pièce à travailler.
15. Aérez votre zone de travail de manière adéquate lorsque vous effectuez des travaux de ponçage.
16. L'utilisation de cet outil pour poncer certains produits, les surfaces peintes et le bois peut exposer l'utilisateur à des poussières qui contiennent des substances dangereuses. Utilisez une protection des voies respiratoires appropriée.
17. Avant l'utilisation, assurez-vous que le patin n'est ni fissuré ni cassé. Il y a un risque de blessure s'il est fissuré ou cassé.
18. N'utilisez pas d'accessoire n'étant pas conçu et recommandé spécifiquement par le fabricant de l'outil. Même si vous pouvez fixer l'accessoire à l'outil électrique, cela ne garantit pas pour autant un fonctionnement sécuritaire.
19. Portez un équipement de protection individuel. Selon l'application, utilisez un écran facial, des lunettes à coques ou des lunettes de sécurité. Lorsque la situation le nécessite, portez des protecteurs d'oreilles, des gants et un tablier capable d'arrêter les petits fragments abrasifs ou ceux de la pièce. Les lunettes de protection doivent être en mesure d'arrêter les débris projetés par les diverses opérations. Le masque antipoussières ou le respirateur doit être capable de filtrer les particules générées par le travail effectué. Une exposition prolongée à un bruit de forte intensité peut provoquer une perte d'audition.
20. Gardez les curieux à une distance sécuritaire de la zone de travail. Toute personne entrant dans la zone de travail doit porter un équipement de protection individuel. Il est possible que des fragments de la pièce ou d'un accessoire cassé soient propulsés et provoquent des blessures hors de la zone de travail immédiate.
21. Ne reposez jamais l'outil électrique tant que l'accessoire n'est pas complètement arrêté. L'accessoire rotatif pourrait s'agripper à la surface et rendre l'outil électrique incontrôlable.
22. Ne faites pas fonctionner l'outil électrique pendant que vous le transportez. Un contact accidentel avec l'accessoire pourrait déchirer vos vêtements et entraîner l'accessoire vers votre corps.
23. N'utilisez pas l'outil électrique près de matériaux inflammables. Les étincelles qui jaillissent de l'outil risqueraient d'enflammer ces matériaux.
24. N'utilisez pas d'accessoires nécessitant des liquides de refroidissement. L'utilisation d'eau ou autres liquides de refroidissement pourrait provoquer l'électrocution ou une décharge électrique.
25. Avant d'effectuer tout travail sur l'outil, assurez-vous toujours que ce dernier est hors tension et débranché ou que la batterie est retirée.
26. Veillez à garder toujours une bonne assise. Assurez-vous que personne ne se trouve au-dessous de vous quand vous utilisez l'outil dans des emplacements élevés.
27. Avant l'utilisation, assurez-vous qu'il n'y a pas d'objets enterrés tels que tuyaux d'électricité, d'eau ou de gaz dans la pièce à travailler. Autrement, il y a un risque de décharge électrique, de dispersion électrique ou de fuite de gaz.

## CONSERVEZ CE MODE D'EMPLOI.

**⚠ MISE EN GARDE : NE VOUS LAISSEZ PAS tromper (au fil d'une utilisation répétée) par un sentiment d'aisance ou de familiarité avec le produit en négligeant les consignes de sécurité qui accompagnent le produit. L'UTILISATION INCORRECTE ou l'ignorance des consignes de sécurité du présent manuel d'instructions comporte un risque de blessure grave.**

### Symboles

Les symboles utilisés pour l'outil sont indiqués ci-dessous.

V	volts
— ---	courant continu
n <sub>o</sub>	vitesse à vide
... /min r/min	tours ou alternances par minute

### Consignes de sécurité importantes pour la batterie

1. Avant d'utiliser la batterie, lisez toutes les instructions et les mises en garde apposées sur (1) le chargeur de batterie, (2) la batterie et (3) le produit utilisant la batterie.
2. Ne démontez pas et ne modifiez pas la batterie. Cela peut entraîner un incendie, une chaleur excessive ou une explosion.
3. Cessez immédiatement l'utilisation si le temps de fonctionnement devient excessivement court. Il y a un risque de surchauffe, de brûlures, voire d'explosion.
4. Si l'électrolyte pénètre dans vos yeux, rincez-les à l'eau claire et consultez immédiatement un médecin. Il y a un risque de perte de la vue.
5. Ne court-circuitez pas la batterie :
  - (1) Ne touchez les bornes avec aucun matériau conducteur.
  - (2) Évitez de ranger la batterie dans un conteneur avec d'autres objets métalliques tels que clous, pièces de monnaie, etc.
  - (3) Évitez d'exposer la batterie à l'eau ou à la pluie.

Un court-circuit de la batterie pourrait provoquer un fort courant, une surchauffe, parfois des brûlures et même une panne.



6. Ne rangez pas et n'utilisez pas l'outil ou la batterie dans des emplacements où la température peut atteindre ou dépasser 50 °C (122 °F).
7. Ne jetez pas la batterie au feu même si elle est sérieusement endommagée ou complètement épuisée. La batterie peut exploser au contact du feu.
8. Évitez de clouer, de couper, d'écraser, de lancer ou d'échapper la batterie, ou de heurter un objet dur contre la batterie. Cela peut entraîner un incendie, une chaleur excessive ou une explosion.
9. N'utilisez pas une batterie si elle est endommagée.
10. Les batteries lithium-ion fournies sont soumises aux exigences de la législation sur les marchandises dangereuses. Des exigences particulières sur l'emballage et l'étiquetage doivent être respectées lors du transport commercial par des tiers, des transitaires, etc. Pour préparer la marchandise à expédier, consultez un expert en matériaux dangereux si nécessaire. Respectez aussi les éventuelles réglementations nationales plus détaillées. Recouvrez de ruban isolant les contacts exposés, et emballez la batterie de sorte qu'elle ne puisse pas se déplacer à l'intérieur de l'emballage.
11. Lors de l'élimination de la batterie, retirez-la de l'outil et éliminez-la dans un endroit sûr. Respectez la réglementation locale concernant l'élimination de la batterie.
12. N'utilisez les batteries qu'avec les produits spécifiés par Makita. Installer les batteries sur des produits non conformes peut entraîner un incendie, une chaleur excessive, une explosion ou une fuite d'électrolyte.
13. Si l'outil reste inutilisé pour une période prolongée, la batterie doit en être retirée.
14. Pendant et après l'utilisation, la batterie peut accumuler de la chaleur, ce qui peut causer des brûlures ou des brûlures à basse température. Faites attention lors de la manipulation des batteries chaudes.
15. Ne touchez pas la borne de l'outil immédiatement après l'utilisation, car elle peut être assez chaude pour causer des brûlures.
16. Ne laissez pas les copeaux, les poussières ou la terre se coincer dans les bornes, les trous et les rainures de la batterie. Cela peut entraîner un fonctionnement médiocre ou une panne de l'outil ou de la batterie.
17. À moins que l'outil ne soit compatible avec l'utilisation à proximité des lignes électriques haute tension, n'utilisez pas la batterie à proximité d'une ligne électrique haute tension. Cela peut entraîner un dysfonctionnement ou une panne de l'outil ou de la batterie.
18. Gardez la batterie à l'écart des enfants.

## CONSERVEZ CES INSTRUCTIONS.

**ATTENTION** : Utilisez exclusivement les batteries fabriquées par Makita. Les batteries autres que celles fabriquées par Makita ou les batteries modifiées peuvent exploser et causer un incendie, une blessure ou des dommages. Cela annule aussi la garantie Makita de l'outil et du chargeur Makita.

## Conseils pour maintenir la durée de service maximale de la batterie

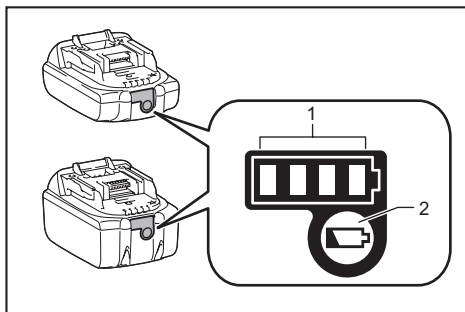
1. Rechargez la batterie avant qu'elle ne soit complètement déchargée. Arrêtez toujours l'outil et rechargez la batterie quand vous remarquez que la puissance de l'outil diminue.
2. Ne rechargez jamais une batterie complètement chargée. La surcharge réduit la durée de service de la batterie.
3. Chargez la batterie à une température ambiante comprise entre 10 °C et 40 °C (50 °F et 104 °F). Si la batterie est chaude, laissez-la refroidir avant de la charger.
4. Lorsque vous n'utilisez pas la batterie, retirez-la de l'outil ou du chargeur.
5. Chargez la batterie si elle est restée inutilisée pendant une période prolongée (plus de six mois).

## DESCRIPTION DU FONCTIONNEMENT

**ATTENTION** : Assurez-vous toujours que l'outil est éteint et que sa batterie est retirée avant de l'ajuster ou de vérifier son fonctionnement.

## Affichage de la charge restante de la batterie

Uniquement pour les batteries avec voyant



► 1. Témoins indicateurs 2. Bouton de vérification

Appuyez sur le bouton de vérification de la batterie pour afficher la charge restante de la batterie. Les témoins indicateurs s'allument pendant quelques secondes.

Témoins indicateurs			Charge restante
Allumé	Éteint	Clignotant	
■	□	◻	75 % à 100 %
■ ■ ■ ■	□	□	50 % à 75 %
■ ■	□ □	□ □	25 % à 50 %
■	□ □ □ □	□ □ □ □	0 % à 25 %
◻	□ □ □ □	□ □ □ □	Chargez la batterie.
■ ■ □ □	□ □ □ □	□ □ □ □	La batterie a peut-être mal fonctionné.

**NOTE :** Suivant les conditions d'utilisation et la température ambiante, il se peut que l'indication soit légèrement différente de la charge réelle.

**NOTE :** La première lampe témoin (à l'extrémité gauche) clignote lorsque le dispositif de protection de la batterie s'active.

## Dispositif de protection de l'outil et de la batterie

L'outil est équipé d'un système de protection d'outil/batterie. Ce système coupe automatiquement l'alimentation du moteur pour augmenter la durée de vie de l'outil et de la batterie. L'outil s'arrête automatiquement pendant l'utilisation lorsque l'outil ou la batterie est dans l'une des situations suivantes :

## Fonction d'alerte de surcharge

La fonction d'alerte de surcharge peut s'enclencher si le courant augmente abruptement en raison d'une opération comme l'application d'une trop grande pression sur une pièce. La fonction d'alerte de surcharge refuse la vitesse d'oscillation, puis augmente l'amplitude de vibration. Dans ce cas, dégagez l'outil d'application de la pièce, puis la vitesse d'oscillation est restaurée. Continuez l'utilisation avec une charge appropriée.

## Protection contre la surcharge

Lorsque l'outil ou la batterie est utilisé d'une façon qui lui fait consommer un courant anormalement élevé, l'outil s'arrête automatiquement. Dans ce cas, éteignez l'outil et arrêtez l'application qui cause une surcharge de l'outil. Remettez ensuite le contact pour redémarrer.

## Protection contre la surchauffe

Lorsque l'outil ou la batterie surchauffe, l'outil s'arrête automatiquement. Il faut alors laisser refroidir l'outil ou la batterie avant de rallumer l'outil.

## Protection contre la décharge excessive

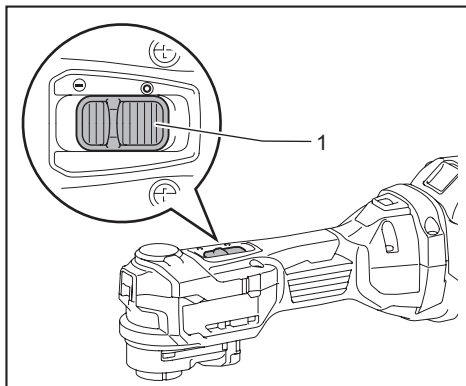
Lorsque la charge de la batterie est insuffisante, l'outil s'arrête automatiquement. Dans ce cas, retirez la batterie de l'outil et chargez la batterie.

## Fonction de verrouillage de protection

Lorsque le dispositif de protection s'active de manière répétée, l'outil se verrouille. Le cas échéant, l'outil ne démarre pas même si vous l'éteignez et le rallumez. Pour libérer le verrou de protection, retirez la batterie, mettez-la sur le chargeur de batterie et attendez que la charge se termine.

## Interrupteur

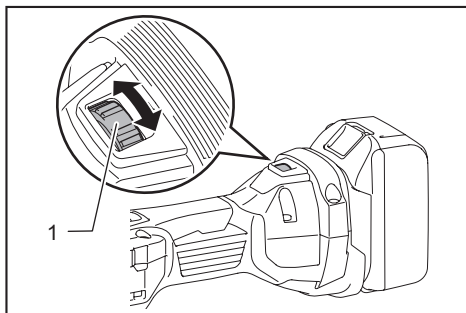
**⚠ ATTENTION :** Avant d'installer la batterie dans l'outil, vérifiez toujours que ce dernier est hors tension.



► 1. Interrupteur à glissière

Pour démarrer l'outil, faites glisser l'interrupteur à glissière sur la position « I (MARCHE) ». Pour arrêter l'outil, faites glisser l'interrupteur à glissière sur la position « O (ARRÊT) ».

## Réglage de la cadence de course orbitale



► 1. Sélecteur

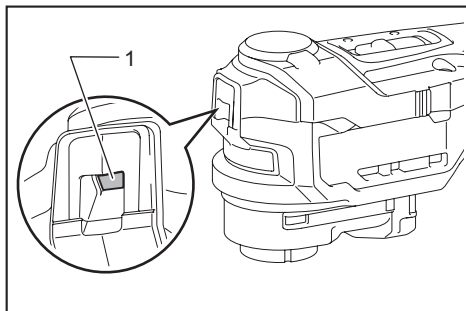
La cadence de course orbitale est réglable. Pour modifier la cadence de course orbitale, tournez le sélecteur sur un chiffre de 1 à 6. Plus le chiffre est élevé, plus élevée sera la cadence de course orbitale. Réglez le sélecteur à l'avance sur le chiffre le plus adapté à la pièce à travailler.

**NOTE** : Le sélecteur ne peut être tourné directement de 1 à 6 ou de 6 à 1. Forcer le sélecteur peut endommager l'outil. Lorsque vous changez le sens du sélecteur, arrêtez-le devant chaque chiffre intermédiaire.

## Allumage de la lampe avant

**ATTENTION** : Évitez de regarder directement le faisceau lumineux ou sa source.

Faites glisser l'interrupteur à glissière vers la position « I » (marche) pour allumer la lampe avant. La lampe reste allumée tant que l'interrupteur est sur la position « I » (marche). La lampe avant s'éteint 10 secondes après avoir placé l'interrupteur à glissière en position « O » (arrêt).



► 1. Lampe avant

**NOTE** : Lorsque la protection contre la surchauffe ou la fonction de verrouillage de protection fonctionne, la lampe avant clignote pendant environ 1 minute. Consultez la section sur le système de protection de l'outil et la batterie.

## Fonctions électroniques

L'outil est doté de fonctions électroniques qui facilitent son utilisation.

### Commande de vitesse constante

La fonction de commande de vitesse procure une cadence de course orbitale constante, quelle que soit la charge.

### Fonction de démarrage en douceur

La fonction de démarrage en douceur atténue le choc de démarrage.

## Fonction de prévention du redémarrage accidentel

L'outil ne démarre pas lorsque vous installez la batterie pendant que l'interrupteur à glissière est sur la position « I » (marche).

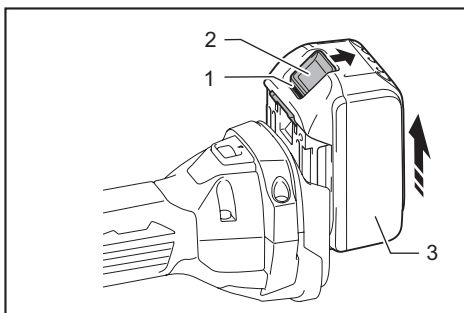
Pour démarrer l'outil, glissez d'abord l'interrupteur à glissière sur la position « O » (arrêt), puis sur la position « I » (marche).

## ASSEMBLAGE

### Installation ou retrait de la batterie

**ATTENTION** : Éteignez toujours l'outil avant d'installer ou de retirer la batterie.

**ATTENTION** : Tenez fermement l'outil et la batterie lors de l'installation ou du retrait de cette dernière. Si l'outil et la batterie ne sont pas tenus fermement, ils risquent de vous glisser des mains et de subir des dommages, ou encore de vous blesser.



► 1. Indicateur rouge 2. Bouton 3. Batterie

Pour retirer la batterie, faites-la glisser hors de l'outil tout en glissant le bouton qui se trouve à l'avant.

Pour installer la batterie, alignez sa languette sur la rainure pratiquée dans le boîtier et glissez la batterie en place. Insérez-la à fond jusqu'à ce que vous entendiez un léger déclic. Si vous pouvez voir l'indicateur rouge tel qu'illustré sur la figure, cela signifie qu'elle n'est pas complètement verrouillée.

**ATTENTION** : Installez toujours la batterie à fond jusqu'à ce que vous ne puissiez plus voir l'indicateur rouge. Autrement elle risque de tomber accidentellement de l'outil et d'entraîner des blessures.

**ATTENTION** : Ne forcez pas sur la batterie pour l'installer. Si la batterie ne glisse pas facilement, c'est qu'elle n'est pas insérée correctement.

**ATTENTION** : Assurez-vous toujours que l'outil est éteint et que sa batterie est retirée avant d'effectuer tout travail dessus.

## Pose ou retrait de l'outil d'application

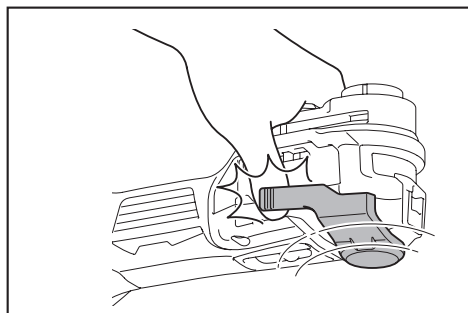
### Accessoire en option

**⚠ MISE EN GARDE :** N'installez pas l'outil d'application à l'envers. L'installation de l'outil d'application à l'envers peut endommager l'outil et causer de graves blessures à l'utilisateur.

**⚠ ATTENTION :** Nettoyez la poussière et effectuez une lubrification sur la pièce mobile du levier de verrouillage sur une base occasionnelle. Sinon, de la poussière pourrait s'accumuler dans la pièce mobile du levier de verrouillage et entraver son mouvement régulier.

**⚠ ATTENTION :** Soyez prudent lorsque vous fermez le levier de verrouillage.

Tenez l'outil fermement lors de l'installation et du retrait de l'outil d'application. Ne mettez pas votre main autour de la position d'origine du levier de verrouillage. Le levier de verrouillage pourrait se fermer soudainement et pincer votre doigt.

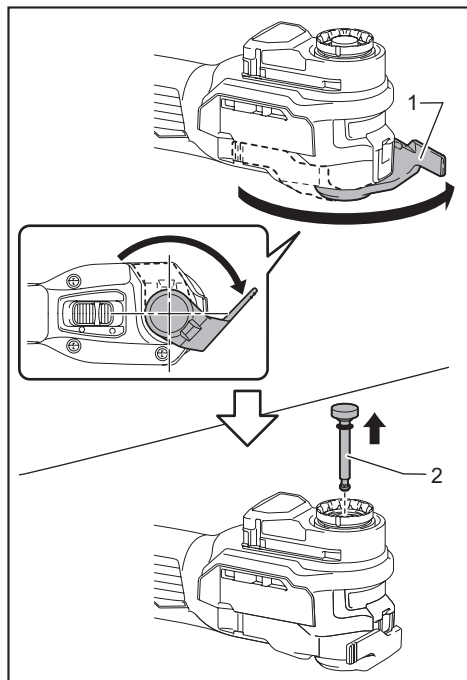


**AVIS :** Installez l'outil d'application dans le bon sens, selon le travail à effectuer. L'outil d'application peut être installé sur plusieurs angles, par paliers de 30°.

**AVIS :** Ne démarrez pas l'outil pendant que le levier s'ouvre. Vous pourriez endommager l'outil.

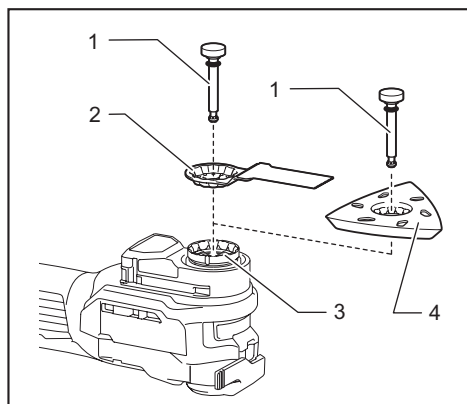
1. Ouvrez le levier de verrouillage entièrement jusqu'à ce que vous entendiez un clic. Retirez le boulon de retenue.

Lorsque le levier de verrouillage est entièrement ouvert, la position du levier de verrouillage est maintenue même si vous enlevez votre main.



► 1. Levier de verrouillage 2. Boulon de retenue

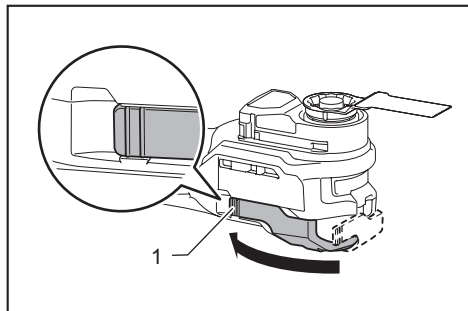
2. Mettez un outil d'application (accessoire optionnel) sur le flasque de l'outil. Puis, insérez le boulon du retenue jusqu'à ce qu'il s'arrête.



► 1. Boulon de retenue 2. Outil d'application  
3. Flasque d'outil 4. Outil d'application (patin de ponçage)

3. Ramenez le levier de verrouillage à sa position initiale.

Assurez-vous toujours que l'outil d'application est solidement tenu en place.



► 1. Levier de verrouillage

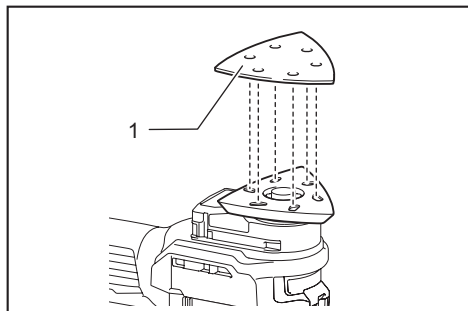
Pour retirer l'outil d'application, suivez les procédures d'installation en sens inverse.

**ATTENTION** : Lorsque vous retirez l'outil d'application, ne touchez ni l'outil d'application ni la pièce immédiatement après l'exécution du travail. Ils risquent d'être extrêmement chauds et de vous brûler la peau.

## Utilisation de l'outil d'application pour le ponçage

Lorsque vous utilisez un outil d'application destiné au ponçage, montez-le sur le patin de ponçage dans le même sens.

Le patin de ponçage dispose d'un dispositif d'attache composé d'un crochet et d'un arceau, ce qui permet d'installer facilement et rapidement le papier abrasif. Comme les papiers abrasifs disposent de trous pour extraire la poussière, montez le papier de sorte que ses trous s'ajustent à ceux du patin de ponçage.



► 1. Papier abrasif

Pour retirer un papier abrasif, soulevez l'une de ses extrémités et retirez-le.

## UTILISATION

**MISE EN GARDE** : Avant de démarrer l'outil et pendant son utilisation, tenez l'outil d'application à l'écart de vos mains et de votre visage.

**ATTENTION** : N'appliquez pas une force excessive sur l'outil, car cela pourrait verrouiller le moteur et arrêter l'outil.

**ATTENTION** : N'utilisez pas l'outil en pressant la batterie contre l'outil.

**AVIS** : Si vous utilisez l'outil en forçant ou en appliquant une pression excessive, l'alerte de surcharge pourrait s'enclencher et l'amplitude de la vibration pourrait augmenter.

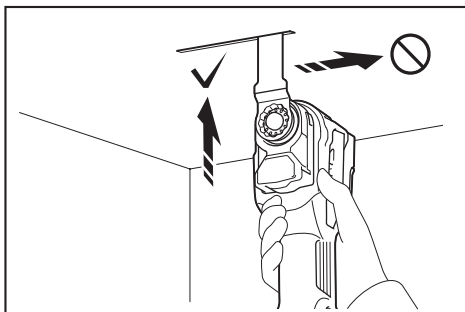
Dans ce cas, dégagez l'outil d'application de la pièce, puis la vitesse d'oscillation est restaurée. Continuez l'utilisation avec une charge appropriée.

## Couper, scier et racler

**AVIS** : Ne poussez pas avec force sur l'outil dans le sens (p. ex. d'un côté ou de l'autre) de l'outil d'application sans bord tranchant. Cela risquerait d'endommager l'outil.

**AVIS** : Utilisez l'outil avec la charge appropriée. Forcer l'outil ou lui appliquer une pression excessive peut en réduire l'efficacité.

Particulièrement lorsqu'on utilise l'outil avec une lame longue (p. ex., une lame de scie plongeante), l'application d'une pression excessive pliant la lame peut non seulement réduire l'efficacité, mais aussi activer le système de protection.



Mettez l'outil d'application sur la pièce à travailler. Déplacez ensuite l'outil vers l'avant de sorte que le mouvement de l'outil d'application ne ralentisse pas.

**NOTE** : Avant de commencer un travail de coupe, il est recommandé de régler à l'avance la cadence de course orbitale sur un chiffre de 4 à 6.

**NOTE** : Une vitesse de mouvement adéquate de l'outil fait en sorte que la sciure soit éjectée sans accrocs. Ceci favorise un fonctionnement efficace.

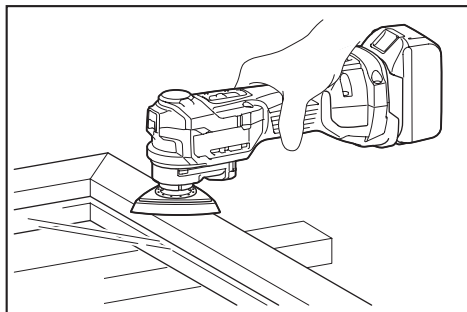
**NOTE** : Il est recommandé d'utiliser la scie ronde pour effectuer de longues coupes rectilignes.

## Ponçage

**AVIS :** Ne réutilisez pas de papier abrasif ayant servi à poncer du métal pour poncer du bois.

**AVIS :** N'utilisez pas de papier abrasif usé ou de papier abrasif sans grain.

Appliquez le papier abrasif sur la pièce à travailler.



**NOTE :** Avant l'utilisation, il est recommandé de déterminer une cadence de course orbitale adéquate en ponçant un matériau de test pour essayer.

**NOTE :** Il est recommandé de ne pas changer le grain du papier abrasif jusqu'à ce que vous ayez terminé de poncer toute la surface de la pièce. Un changement de grain de papier abrasif en plein milieu peut causer un fini grossier.

## Fixation de raccord à poussières pour l'opération de ponçage

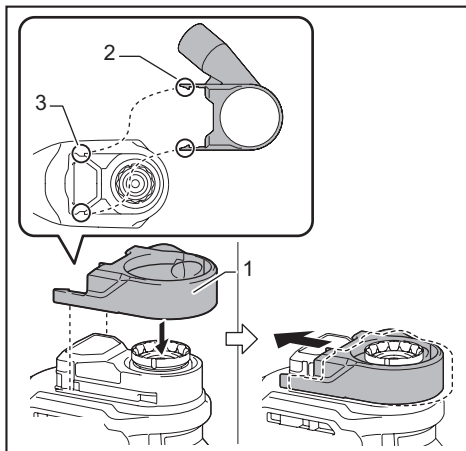
*Accessoire en option*

**ATTENTION :** N'utilisez pas le dépoussiéreur pour poncer le métal. L'aspiration d'étincelles et de particules chaudes peut provoquer de la fumée et un embrasement.

### Installation de la fixation de raccord à poussières

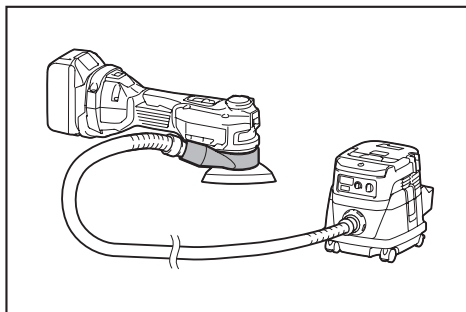
1. Retirez le boulon de retenue et l'outil d'application.
2. Posez la fixation de raccord à poussières avec les ergots alignés avec les encoches sur l'outil.

Faites glisser la fixation de raccord à poussières comme indiqué dans l'illustration.



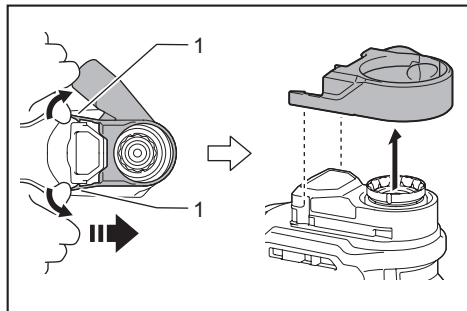
- 1. Fixation de raccord à poussières 2. Ergot  
3. Entaille

3. Installez le patin de ponçage et le boulon de retenue.
4. Connectez le tuyau de l'aspirateur au dépoussiéreur.



## Retrait de la fixation de raccord à poussières

1. Lors du retrait de la fixation de raccord à poussières, retirez le boulon de retenue et le patin de ponçage.
2. Faites glisser la fixation de raccord à poussières tout en ouvrant les ergots à la main, comme indiqué dans l'illustration, puis retirez la fixation de raccord à poussières de l'outil.



► 1. Ergot

- Racleur (rigide)
- Racleur (flexible)
- Lame segmentée dentelée
- Coupe-joint universel
- Décapant pour métal dur
- Lame de scie segmentée en métal dur
- Plateau ponceur en métal dur
- Lame de scie segmentée diamantée
- Patin de ponçage
- Papier abrasif delta (rouge / blanc / noir)
- Tissu de lustrage delta (moyen / gros / sans grain)
- Feutre à polir delta
- Dépoussiéreur
- Chargeur et batterie authentiques Makita

**NOTE :** Certains éléments de la liste peuvent être inclus avec l'outil comme accessoires standards. Ils peuvent varier suivant les pays.

## GARANTIE LIMITÉE MAKITA

Pour les conditions de garantie en vigueur qui s'appliquent à ce produit, veuillez vous reporter à la feuille de garantie en annexe. Si la feuille de garantie en annexe n'est pas disponible, reportez-vous aux détails de la garantie présentés sur le site Web de votre pays, ci-dessous.

États-Unis d'Amérique: [www.makitatools.com](http://www.makitatools.com)

Canada: [www.makita.ca](http://www.makita.ca)

Autres pays: [www.makita.com](http://www.makita.com)

## ENTRETIEN

**⚠ ATTENTION :** Assurez-vous toujours que l'outil est hors tension et que la batterie est retirée avant d'y effectuer tout travail d'inspection ou d'entretien.

**AVIS :** N'utilisez jamais d'essence, de benzine, de solvant, d'alcool ou autres produits similaires. Une décoloration, une déformation ou la formation de fissures peuvent en découler.

Pour maintenir la SÉCURITÉ et la FIABILITÉ du produit, les réparations et tout autre travail d'entretien ou de réglage doivent être effectués dans un centre de service après-vente autorisé ou une usine Makita, exclusivement avec des pièces de rechange Makita.

## ACCESSOIRES EN OPTION

**⚠ ATTENTION :** Ces accessoires ou pièces complémentaires sont recommandés pour l'utilisation avec l'outil Makita spécifié dans ce manuel. L'utilisation de tout autre accessoire ou pièce complémentaire peut comporter un risque de blessure. N'utilisez les accessoires ou pièces complémentaires qu'aux fins auxquelles ils ont été conçus.

Si vous désirez obtenir plus de détails sur ces accessoires, veuillez contacter le centre de service après-vente Makita le plus près.

- Lame de scie segmentée
- Lame de scie circulaire
- Lame de scie plongeante



## ESPECIFICACIONES

<b>Modelo:</b>		<b>DTM52</b>
Oscilaciones por minuto		10 000 cpm - 20 000 cpm
Ángulo de oscilación, izquierda/derecha		1,8° (3,6° total)
Longitud total	con el modelo BL1820B	305 mm (12")
	con el modelo BL1860B	322 mm (12-5/8")
Peso neto		1,7 kg - 2,0 kg (3,7 lbs - 4,4 lbs)
Tensión nominal		18 V c.c.

- Debido a nuestro continuo programa de investigación y desarrollo, las especificaciones aquí incluidas están sujetas a cambio sin previo aviso.
- Las especificaciones pueden variar de país a país.
- El peso puede variar en función de los accesorios, incluido el cartucho de batería. En la tabla se muestra la combinación de peso más ligero y más pesado conforme al procedimiento 01/2014 de EPTA.

### Cartucho de batería y cargador aplicables









Cartucho de batería	BL1815N / BL1820B / BL1830 / BL1830B / BL1840B / BL1850B / BL1860B
Cargador	DC18RC / DC18RD / DC18RE / DC18SD / DC18SE / DC18SF / DC18SH

- Algunos de los cartuchos de batería y cargadores enumerados arriba podrían no estar disponibles dependiendo de su área de residencia.

**⚠ ADVERTENCIA:** Use únicamente los cartuchos de batería y los cargadores indicados arriba. El uso de cualquier otro cartucho de batería y cargador podría ocasionar una lesión y/o un incendio.

### Pieza de aplicación pertinente

Utilice la pieza de aplicación, cuyo tipo es adaptable a esta herramienta, como se muestra en la siguiente tabla.

	OIS	
	STARLOCK	
	STARLOCK PLUS	
	STARLOCK MAX	

## ADVERTENCIAS DE SEGURIDAD

### Advertencias generales de seguridad para herramientas eléctricas

**⚠ ADVERTENCIA:** Lea todas las advertencias de seguridad, instrucciones, ilustraciones y especificaciones suministradas con esta herramienta eléctrica. El no seguir todas las instrucciones indicadas a continuación podría ocasionar una descarga eléctrica, incendio y/o lesiones graves.

### Conservar todas las advertencias e instrucciones como referencia en el futuro.

En las advertencias, el término "herramienta eléctrica" se refiere a su herramienta eléctrica de funcionamiento con conexión a la red eléctrica (con cableado eléctrico) o herramienta eléctrica de funcionamiento a batería (inalámbrica).

#### Seguridad en el área de trabajo

1. **Mantenga el área de trabajo limpia y bien iluminada.** Las áreas oscuras o desordenadas son propensas a accidentes.
2. **No utilice las herramientas eléctricas en atmósferas explosivas, tal como en la presencia de líquidos, gases o polvo inflamables.** Las herramientas eléctricas crean chispas que pueden prender fuego al polvo o los humos.
3. **Mantenga a los niños y curiosos alejados mientras utiliza una herramienta eléctrica.** Las distracciones le pueden hacer perder el control.

#### Seguridad eléctrica

1. **Las clavijas de conexión de las herramientas eléctricas deberán encajar perfectamente en la toma de corriente. No modifique nunca la clavija de conexión de ninguna forma. No utilice ninguna clavija adaptadora con herramientas eléctricas que tengan conexión a tierra (puesta a tierra).** La utilización de clavijas no modificadas y que encajen perfectamente en la toma de corriente reducirá el riesgo de que se produzca una descarga eléctrica.

2. **Evite tocar con el cuerpo superficies conectadas a tierra o puestas a tierra** tales como tubos, radiadores, cocinas y refrigeradores. Si su cuerpo es puesto a tierra o conectado a tierra existirá un mayor riesgo de que sufra una descarga eléctrica.
3. **No exponga las herramientas eléctricas a la lluvia ni a condiciones húmedas.** La entrada de agua en una herramienta eléctrica aumentará el riesgo de que se produzca una descarga eléctrica.
4. **No maltrate el cable. Nunca utilice el cable para transportar, jalar o desconectar la herramienta eléctrica. Mantenga el cable alejado del calor, aceite, objetos cortantes o piezas móviles.** Los cables dañados o enredados aumentan el riesgo de sufrir una descarga eléctrica.
5. **Cuando utilice una herramienta eléctrica en exteriores, utilice un cable de extensión apropiado para uso en exteriores.** La utilización de un cable apropiado para uso en exteriores reducirá el riesgo de que se produzca una descarga eléctrica.
6. **Si no es posible evitar usar una herramienta eléctrica en condiciones húmedas, utilice un alimentador protegido con interruptor de circuito de falla a tierra (ICFT).** El uso de un ICFT reduce el riesgo de descarga eléctrica.
7. **Las herramientas eléctricas pueden producir campos electromagnéticos (CEM) que no son dañinos para el usuario.** Sin embargo, si los usuarios tienen marcapasos y otros dispositivos médicos similares, deberán consultar al fabricante de su dispositivo y/o a su médico antes de operar esta herramienta eléctrica.
6. **Use una vestimenta apropiada. No use ropa suelta ni alhajas. Mantenga el cabello, la ropa y los guantes alejados de las piezas móviles.** Las prendas de vestir holgadas, las alhajas y el cabello largo suelto podrían engancharse en estas piezas móviles.
7. **Si dispone de dispositivos para la conexión de equipos de extracción y recolección de polvo, asegúrese de conectarlos y utilizarlos debidamente.** Hacer uso de la recolección de polvo puede reducir los riesgos relacionados con el polvo.
8. **No permita que la familiaridad adquirida debido al uso frecuente de las herramientas haga que se sienta confiado e ignore los principios de seguridad de las herramientas.** Un descuido podría ocasionar una lesión grave en una fracción de segundo.
9. **Utilice siempre gafas protectoras para proteger sus ojos de lesiones al usar herramientas eléctricas. Las gafas deben cumplir con la Norma ANSI Z87.1 en EUA.** Es responsabilidad del empleador imponer el uso de equipos protectores de seguridad apropiados a los operadores de la herramienta y demás personas cerca del área de trabajo.

#### Mantenimiento y uso de la herramienta eléctrica

1. **No fuerce la herramienta eléctrica. Utilice la herramienta eléctrica correcta para su aplicación.** La herramienta eléctrica adecuada hará un mejor trabajo y de forma más segura a la velocidad para la que ha sido fabricada.
2. **No utilice la herramienta eléctrica si el interruptor no la enciende y apaga.** Cualquier herramienta eléctrica que no pueda ser controlada con el interruptor es peligrosa y debe ser reemplazada.
3. **Desconecte la clavija de la fuente de alimentación y/o retire la batería de la herramienta eléctrica, en caso de ser removible, antes de realizar ajustes, cambiar accesorios o almacenar las herramientas eléctricas.** Tales medidas de seguridad preventivas reducirán el riesgo de poner en marcha la herramienta eléctrica de forma accidental.
4. **Guarde la herramienta eléctrica que no use fuera del alcance de los niños y no permita que las personas que no están familiarizadas con ella o con las instrucciones la operen.** Las herramientas eléctricas son peligrosas en manos de personas que no saben operarlas.
5. **Dé mantenimiento a las herramientas eléctricas y los accesorios. Compruebe que no haya piezas móviles desalineadas o estancadas, piezas rotas y cualquier otra condición que pueda afectar al funcionamiento de la herramienta eléctrica. Si la herramienta eléctrica está dañada, haga que la reparen antes de utilizarla.** Muchos de los accidentes son ocasionados por no dar un mantenimiento adecuado a las herramientas eléctricas.
6. **Mantenga las herramientas de corte limpias y filosas.** Si recibe un mantenimiento adecuado y tiene los bordes afilados, es probable que la herramienta se atasque menos y sea más fácil controlarla.

#### Seguridad personal

1. **Manténgase alerta, preste atención a lo que está haciendo y utilice su sentido común cuando opere una herramienta eléctrica. No utilice una herramienta eléctrica cuando esté cansado o bajo la influencia de drogas, alcohol o medicamentos.** Un momento de distracción mientras opera las herramientas eléctricas puede terminar en una lesión grave.
2. **Use equipo de protección personal. Póngase siempre protección para los ojos.** El equipo protector tal como máscara contra el polvo, zapatos de seguridad antiderrapantes, casco rígido y protección para oídos utilizado en las condiciones apropiadas reducirá el riesgo de lesiones.
3. **Impida el encendido accidental. Asegúrese de que el interruptor esté en la posición de apagado antes de conectar a la alimentación eléctrica y/o de colocar el cartucho de batería, así como al levantar o cargar la herramienta.** Cargar las herramientas eléctricas con su dedo en el interruptor o enchufarlas con el interruptor encendido hace que los accidentes sean comunes.
4. **Retire cualquier llave de ajuste o llave de apriete antes de encender la herramienta.** Una llave de ajuste o llave de apriete que haya sido dejada puesta en una parte giratoria de la herramienta eléctrica puede ocasionar alguna lesión.
5. **No utilice la herramienta donde no alcance. Mantenga los pies sobre suelo firme y el equilibrio en todo momento.** Esto permite un mejor control de la herramienta eléctrica en situaciones inesperadas.

7. **Utilice la herramienta eléctrica, los accesorios y las brocas de acuerdo con estas instrucciones, considerando las condiciones laborales y el trabajo a realizar.** Si utiliza la herramienta eléctrica para realizar operaciones distintas de las indicadas, podrá presentarse una situación peligrosa.
8. **Mantenga los mangos y superficies de asiento secos, limpios y libres de aceite o grasa.** Los mangos y superficies de asiento resbalosos no permiten una manipulación segura ni el control de la herramienta en situaciones inesperadas.
9. **Cuando vaya a utilizar esta herramienta, evite usar guantes de trabajo de tela ya que éstos podrían atorarse.** Si los guantes de trabajo de tela llegaran a atorarse en las piezas móviles, esto podría ocasionar lesiones personales.
3. **Siga las instrucciones para la lubricación y cambio de accesorios.**
4. **No modifique ni intente reparar el aparato ni el paquete de baterías salvo como se indique en las instrucciones para el uso y cuidado.**

## Advertencias de seguridad para la multitool inalámbrica

### Uso y cuidado de la herramienta a batería

1. **Recargue sólo con el cargador especificado por el fabricante.** Un cargador que es adecuado para un solo tipo de batería puede generar riesgo de incendio al ser utilizado con otra batería.
2. **Utilice las herramientas eléctricas solamente con las baterías designadas específicamente para ellas.** La utilización de cualquier otra batería puede crear un riesgo de lesiones o incendio.
3. **Cuando no se esté usando la batería, manténgala alejada de otros objetos metálicos, como sujetapapeles (clips), monedas, llaves, clavos, tornillos u otros objetos pequeños de metal los cuales pueden actuar creando una conexión entre las terminales de la batería.** Originar un cortocircuito en las terminales puede causar quemaduras o incendios.
4. **En condiciones abusivas, podrá escapar líquido de la batería; evite tocarlo. Si lo toca accidentalmente, enjuague con agua. Si hay contacto del líquido con los ojos, busque asistencia médica.** Puede que el líquido expulsado de la batería cause irritación o quemaduras.
5. **No utilice una herramienta ni una batería que estén dañadas o hayan sido modificadas.** Las baterías dañadas o modificadas podrían ocasionar una situación inesperada provocando un incendio, explosión o riesgo de lesiones.
6. **No exponga la herramienta ni la batería al fuego ni a una temperatura excesiva.** La exposición al fuego o a una temperatura superior a los 130 °C podría causar una explosión.
7. **Siga todas las instrucciones para la carga y evite cargar la herramienta o la batería fuera del rango de temperatura especificado en las instrucciones.** Una carga inadecuada o a una temperatura fuera del rango especificado podría dañar la batería e incrementar el riesgo de incendio.
1. **Esta herramienta eléctrica está diseñada para realizar operaciones de aserrado, corte, raspado y lijado. Lea todas las advertencias de seguridad, instrucciones, ilustraciones y especificaciones que se incluyen con esta herramienta eléctrica.** El no seguir todas las instrucciones indicadas a continuación podría provocar una descarga eléctrica, incendio y/o lesiones graves.
2. **Sujete la herramienta eléctrica por las superficies aisladas de sujeción al realizar una operación en la que el accesorio de corte pueda entrar en contacto con cables ocultos.** Si el accesorio de corte entra en contacto con un cable con corriente, las piezas metálicas expuestas de la herramienta eléctrica se cargarán también de corriente y el operador podrá recibir una descarga eléctrica.
3. **Utilice abrazaderas o algún otro modo práctico para asegurar y sujetar la pieza de trabajo a una plataforma estable.** Sostener la pieza de trabajo con la mano o contra su cuerpo produce inestabilidad y una posible pérdida de control.
4. **Use siempre gafas de seguridad o protectores. Los anteojos comunes o para el sol NO son gafas de seguridad.**
5. **Sostenga la herramienta con firmeza.**
6. **Asegúrese de que la pieza de aplicación no esté haciendo contacto con la pieza de trabajo antes de activar el interruptor.**
7. **Mantenga las manos alejadas de las piezas móviles.**
8. **No deje la herramienta en marcha. Opere la herramienta solamente cuando la tenga en la mano.**
9. **Siempre apague la herramienta y espere a que la hoja se haya detenido por completo antes de retirarla de la pieza de trabajo.**
10. **No toque la pieza de aplicación ni la pieza de trabajo inmediatamente después de la operación; éstas podrían estar muy calientes y provocarle quemaduras en la piel.**
11. **No opere la herramienta sin carga innecesariamente.**
12. **Siempre utilice la máscara contra polvo/respirador indicado para el material y la aplicación con los que esté trabajando.**
13. **Algunos materiales contienen sustancias químicas que pueden ser tóxicas. Tome precauciones para evitar la inhalación de polvo y el contacto de éste con la piel. Consulte la información de seguridad del proveedor de los materiales.**
14. **Esta herramienta no es a prueba de agua, por lo que no deberá utilizar agua en la superficie de la pieza de trabajo.**
15. **Ventile el área de trabajo adecuadamente cuando realice operaciones de lijado.**

### Servicio

1. **Haga que una persona calificada repare la herramienta eléctrica utilizando sólo piezas de repuesto idénticas.** Esto asegura que se mantenga la seguridad de la herramienta eléctrica.
2. **Nunca dé servicio a baterías que estén dañadas.** El servicio a las baterías solamente deberá ser efectuado por el fabricante o un agente de servicio autorizado.

16. El uso de esta herramienta para lijar algunos productos, pinturas y madera podría exponer al usuario a polvo que contenga sustancias peligrosas. Utilice protección respiratoria apropiada.
17. Asegúrese de que no haya grietas o roturas en la almohadilla antes de usar la herramienta. Las grietas o roturas podrían causar lesiones personales.
18. No utilice accesorios que no hayan sido específicamente diseñados o recomendados por el fabricante de la herramienta. Sólo porque un accesorio pueda ensamblarse en su herramienta eléctrica no garantiza una operación segura.
19. Utilice equipo de protección personal. Dependiendo de la aplicación, utilice careta y gafas o anteojos de seguridad. Según sea apropiado, utilice protectores para los oídos, guantes y mandil de trabajo capaz de detener fragmentos abrasivos pequeños o generados por la pieza de trabajo. La protección para los ojos debe ser capaz de detener los residuos proyectados a causa de las distintas operaciones. La máscara contra polvo o el respirador deben ser capaces de filtrar las partículas generadas durante la operación. La exposición prolongada al ruido de alta intensidad puede ocasionar pérdida auditiva.
20. Mantenga a las personas alrededor a una distancia segura lejos del área de trabajo. Cualquier persona que ingrese al área de trabajo debe usar equipo de protección personal. Los fragmentos de la pieza de trabajo o de algún accesorio roto podrían salir proyectados más allá del área inmediata de operación y causar lesiones.
21. Nunca coloque la herramienta eléctrica en el suelo hasta que el accesorio se haya detenido por completo. El accesorio giratorio podría agarrar la superficie y jalar la herramienta eléctrica haciendo que usted pierda el control sobre ella.
22. No tenga en marcha la herramienta eléctrica mientras la lleva cargando a un costado. El contacto accidental con el accesorio podría enganchar su ropa jalando el accesorio hacia su cuerpo.
23. No opere la herramienta eléctrica cerca de materiales inflamables. Las chispas podrían encender estos materiales.
24. No utilice accesorios que requieran refrigerantes líquidos. El uso de agua u otros refrigerantes líquidos podrían provocar una electrocución o descarga eléctrica.
25. Asegúrese siempre de que la herramienta esté apagada y desenchufada, o que el cartucho de batería se haya extraído antes de realizar cualquier trabajo en la herramienta.
26. Asegúrese siempre de pisar sobre suelo firme. Asegúrese de que no haya nadie abajo cuando use la herramienta en lugares elevados.
27. Antes de iniciar la operación, asegúrese de que no hay objetos enterrados tales como tuberías eléctricas, de gas o de agua en la pieza de trabajo. De lo contrario, podría ocasionar una descarga eléctrica, fuga eléctrica o fuga de gas.

## GUARDE ESTAS INSTRUCCIONES.

**ADVERTENCIA: NO DEJE** que la comodidad o familiaridad con el producto (a base de utilizarlo repetidamente) sustituya la estricta observancia de las normas de seguridad para dicho producto. **El MAL USO o el no seguir las normas de seguridad establecidas en este manual de instrucciones puede ocasionar lesiones personales graves.**

## Símbolos

A continuación se muestran los símbolos utilizados para la herramienta.

V	volts o voltios
— ---	corriente directa o continua
n <sub>o</sub>	velocidad sin carga
... /min r /min	revoluciones o alternaciones por minuto, frecuencia de rotación

## Instrucciones importantes de seguridad para el cartucho de batería

1. Antes de utilizar el cartucho de batería, lea todas las instrucciones e indicaciones de precaución en el (1) el cargador de batería, (2) la batería, y (3) el producto con el que se utiliza la batería.
2. No desarme ni modifique el cartucho de batería. Podría ocurrir un incendio, calor excesivo o una explosión.
3. Si el tiempo de operación se ha acortado en exceso, deje de operar de inmediato. Podría correrse el riesgo de sobrecalentamiento, posibles quemaduras e incluso explosión.
4. En caso de que ingresen electrolitos en sus ojos, enjuáguelos bien con agua limpia y consulte de inmediato a un médico. Esto podría ocasionar pérdida de visión.
5. Evite cortocircuitar el cartucho de batería:
  - (1) No toque las terminales con ningún material conductor.
  - (2) Evite guardar el cartucho de batería en un cajón junto con otros objetos metálicos, tales como clavos, monedas, etc.
  - (3) No exponga el cartucho de batería al agua o la lluvia.

Un cortocircuito en la batería puede causar un flujo grande de corriente, sobrecalentamiento, posibles quemaduras e incluso una descompostura.
6. No guarde ni utilice la herramienta y el cartucho de batería en lugares donde la temperatura pueda alcanzar o exceder los 50 °C (122 °F).
7. Nunca incinere el cartucho de batería incluso en el caso de que esté dañado seriamente o ya no sirva en absoluto. El cartucho de batería puede explotar si se tira al fuego.

8. **No clave, corte, aplaste, lance o deje caer el cartucho de batería, ni golpee un objeto sólido contra el cartucho de batería.** Dicha acción podría resultar en un incendio, calor excesivo o en una explosión.
9. **No use una batería dañada.**
10. **Las baterías de ión de litio están sujetas a los requisitos reglamentarios en materia de bienes peligrosos.**  
Para el transporte comercial, por ej., mediante terceros o agentes de transporte, se deben tomar en cuenta los requisitos especiales relativos al empaque y el etiquetado.  
Para efectuar los preparativos del artículo que se va a enviar, se requiere consultar a un experto en materiales peligrosos. Si es posible, consulte además otras regulaciones nacionales más detalladas. Pegue o cubra con cinta adhesiva los contactos abiertos y empaque la batería de manera que ésta no pueda moverse dentro del paquete.
11. **Para deshacerse del cartucho de batería, sáquelo de la herramienta y deséchelo en un lugar seguro. Siga las regulaciones locales relacionadas al desecho de las baterías.**
12. **Utilice las baterías únicamente con los productos especificados por Makita.** Instalar las baterías en productos que no cumplan con los requisitos podría ocasionar un incendio, un calentamiento excesivo, una explosión o una fuga de electrolito.
13. **Si no se utiliza la herramienta por un período largo, debe extraerse la batería de la herramienta.**
14. **El cartucho de batería podría absorber calor durante y después de su uso, lo que ocasionaría quemaduras o quemaduras a baja temperatura.** Tenga cuidado con la manipulación de los cartuchos de batería que estén calientes.
15. **No toque el terminal de la herramienta inmediatamente después de su uso, ya que el mismo podría estar lo suficientemente caliente como para provocarle quemaduras.**
16. **No permita que las rebabas, el polvo o la tierra queden atrapados en los terminales, orificios y ranuras del cartucho de batería.** Esto podría ocasionar un desempeño deficiente o descomposición de la herramienta o del cartucho de batería.
17. **No utilice el cartucho de batería cerca de cables eléctricos de alto voltaje, a menos que la herramienta sea compatible con el uso cercano a estos cables eléctricos de alto voltaje.** Esto podría ocasionar una avería o descomposición de la herramienta o del cartucho de batería.
18. **Mantenga la batería alejada de los niños.**

## GUARDE ESTAS INSTRUCCIONES.

**⚠PRECAUCIÓN:** Utilice únicamente baterías originales de Makita. El uso de baterías no originales de Makita, o de baterías alteradas, puede ocasionar que las baterías exploten causando un incendio, lesiones personales y daños. Asimismo, esto invalidará la garantía de Makita para la herramienta y el cargador Makita.

## Consejos para alargar al máximo la vida útil de la batería

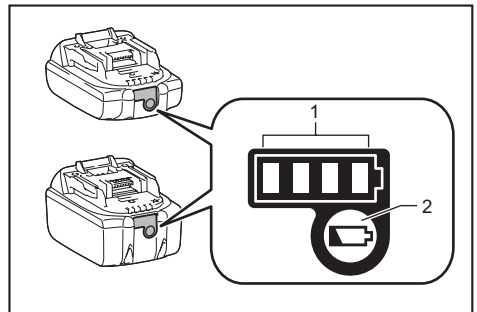
1. **Cargue el cartucho de batería antes de que se descargue completamente. Pare siempre la operación y cargue el cartucho de batería cuando note menos potencia en la herramienta.**
2. **No cargue nunca un cartucho de batería que esté completamente cargado. La sobrecarga acortará la vida de servicio de la batería.**
3. **Cargue el cartucho de batería a una temperatura ambiente de 10 °C - 40 °C (50 °F - 104 °F). Si un cartucho de batería está caliente, déjelo enfriar antes de cargarlo.**
4. **Cuando no utilice el cartucho de batería, sáquelo de la herramienta o del cargador.**
5. **Cargue el cartucho de batería si no va a utilizarlo durante un período prolongado (más de seis meses).**

## DESCRIPCIÓN DEL FUNCIONAMIENTO

**⚠PRECAUCIÓN:** Asegúrese siempre de que la herramienta esté apagada y el cartucho de batería haya sido extraído antes de realizar cualquier ajuste o comprobación en la herramienta.

## Indicación de la capacidad restante de la batería

*Únicamente para cartuchos de batería con el indicador*



► 1. Luces indicadoras 2. Botón de verificación

Oprima el botón de verificación en el cartucho de la batería para que indique la capacidad restante de la batería. Las luces indicadoras se iluminarán por algunos segundos.

Luces indicadoras			Capacidad restante
Iluminadas	Apagadas	Parpadeando	
■	□	▧	75% a 100%
■ ■ ■ ■			
	□		50% a 75%
■ ■ ■	□		
	□		25% a 50%
■ ■	□ □		
	□		0% a 25%
■	□ □ □		
▧	□ □ □		Cargar la batería.
▧	□ □ □		
■ ■	□ □		La batería pudo haber funcionado mal.
□ □	■ ■	↑ ↓	

**NOTA:** Dependiendo de las condiciones de uso y la temperatura ambiente, la indicación podrá diferir ligeramente de la capacidad real.

**NOTA:** La primera luz indicadora (extrema izquierda) parpadeará cuando el sistema de protección de batería esté en funcionamiento.

## Sistema de protección para la herramienta/batería

La herramienta está equipada con un sistema de protección de la herramienta/batería. Este sistema corta en forma automática el suministro de energía al motor para prolongar la vida útil de la herramienta y la batería. La herramienta se detendrá automáticamente durante la operación si la herramienta o la batería se someten a una de las siguientes condiciones:

### Función de alerta de sobrecarga

La función de alerta de sobrecarga puede funcionar si la corriente aumenta bruscamente debido a la operación, como aplicar demasiada presión sobre una pieza de trabajo.

La función de alerta de sobrecarga disminuye la velocidad de la oscilación, y luego aumenta la amplitud de la vibración.

En este caso, una vez que se aísla la pieza de aplicación de la pieza de trabajo, la velocidad de oscilación retrocede. Continúe la operación con la carga apropiada.

### Protección contra sobrecarga

Cuando la herramienta/batería sea operada de tal forma que cause que use una cantidad de corriente anormalmente alta, la herramienta se detendrá automáticamente. En esta situación, apague la herramienta y detenga la aplicación que haya causado que la herramienta se sobrecargara. Luego encienda la herramienta para reiniciarla.

## Protección contra sobrecalentamiento

Cuando la herramienta/batería se sobrecaliente, la herramienta se detendrá automáticamente. En este caso, permita que la herramienta/batería se enfríe antes de volver a encender la herramienta.

## Protección en caso de sobredescarga

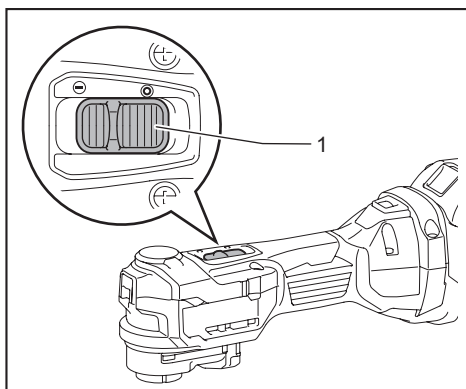
Cuando la capacidad de la batería no es suficiente, la herramienta se detiene automáticamente. En este caso, retire la batería de la herramienta y cárguela.

## Función de bloqueo de protección

Cuando el sistema de protección trabaje repetidamente, la herramienta se bloqueará. En este caso, la herramienta no arranca aunque la encienda y apague varias veces. Para liberar el seguro de protección, retire la batería, colóquela en el cargador de batería y espere hasta que la carga termine.

## Accionamiento del interruptor

**PRECAUCIÓN:** Antes de instalar el cartucho de batería en la herramienta, verifique siempre que la herramienta esté apagada.

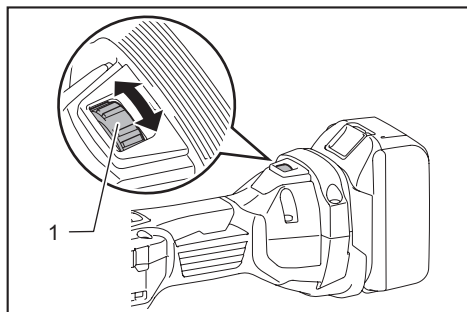


► 1. Interruptor deslizable

Para arrancar la herramienta, deslice el interruptor deslizable hasta la posición de "I (encendido)". Para detener la herramienta, deslice el interruptor deslizable hasta la posición de "O (apagado)".



## Ajuste de la tasa de ciclo orbital



► 1. Selector

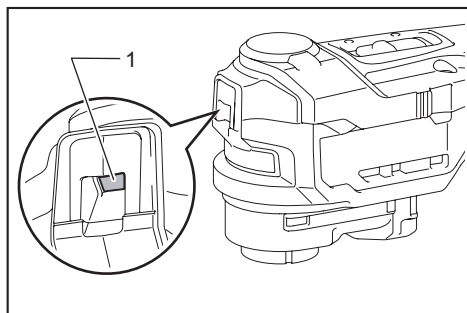
La tasa de ciclo orbital es ajustable. Para cambiar la tasa de ciclo orbital, gire el selector entre 1 y 6. Entre mayor sea el número, mayor será la tasa de ciclo orbital. Preajuste el selector al número adecuado para su pieza de trabajo.

**NOTA:** El selector no puede girarse directamente del 1 al 6 ni del 6 al 1. Si se fuerza el selector la herramienta podría dañarse. Cuando cambie la dirección del selector, gire siempre el selector haciéndolo pasar a través de cada número intermedio.

## Iluminación de la luz delantera

**⚠PRECAUCIÓN:** No mire a la luz ni vea a la fuente de luz directamente.

Deslice el interruptor deslizable hasta la posición de "I" (encendido) para encender la lámpara delantera. La lámpara se mantendrá encendida mientras el interruptor esté en la posición de "I" (encendido). La lámpara delantera se apaga 10 segundos después de deslizar el interruptor a la posición "O" (apagado).



► 1. Lámpara delantera

**NOTA:** Cuando la función de protección contra sobrecalentamiento o bloqueo de protección está funcionando, la lámpara delantera parpadea durante aproximadamente 1 minuto. Consulte la sección para el sistema de protección de la herramienta/batería.

## Funcionamiento electrónico

La herramienta está equipada con funciones electrónicas para facilitar la operación.

### Control de velocidad constante

La función de control de velocidad permite una tasa de ciclo orbital constante, independientemente de las condiciones de carga.

### Función de inicio suave

La función de inicio suave reduce la reacción al arranque.

## Función para evitar el encendido accidental

Cuando instale el cartucho de batería mientras el interruptor deslizable esté en la posición "I" (encendido), la herramienta no arranca.

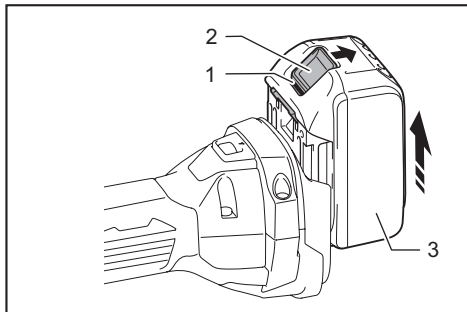
Para arrancar la herramienta, primero deslice el interruptor deslizable hacia la posición "O" (apagado) y luego deslícelo hacia la posición "I" (encendido).

## MONTAJE

### Instalación o extracción del cartucho de batería

**⚠PRECAUCIÓN:** Apague siempre la herramienta antes de colocar o quitar el cartucho de batería.

**⚠PRECAUCIÓN:** Sujete la herramienta y el cartucho de la batería con firmeza al colocar o quitar el cartucho de batería. Si no se sujeta con firmeza la herramienta y el cartucho de batería, puede ocasionar que se resbalen de sus manos causando daños a la herramienta y al cartucho de batería, así como lesiones a la persona.



► 1. Indicador rojo 2. Botón 3. Cartucho de batería

Para quitar el cartucho de batería, deslícelo de la herramienta mientras desliza el botón sobre la parte delantera del cartucho.

Para instalar el cartucho de batería, alinee la lengüeta sobre el cartucho de batería con la ranura en la carcasa y deslícela hasta su lugar. Insértelo por completo hasta que se fije en su lugar con un pequeño clic. Si puede ver el indicador rojo como se muestra en la ilustración, este no ha quedado asegurado por completo.



**⚠PRECAUCIÓN:** Introduzca siempre completamente el cartucho de batería hasta que el indicador rojo no pueda verse. Si no, podría accidentalmente salirse de la herramienta y caer al suelo causando una lesión a usted o alguien a su alrededor.

**⚠PRECAUCIÓN:** No instale el cartucho de batería a la fuerza. Si el cartucho no se desliza al interior fácilmente, se debe a que no está siendo insertado correctamente.

**⚠PRECAUCIÓN:** Asegúrese siempre de que la herramienta esté apagada y el cartucho de batería haya sido extraído antes de realizar cualquier trabajo en la misma.

## Instalación o extracción de la pieza de aplicación

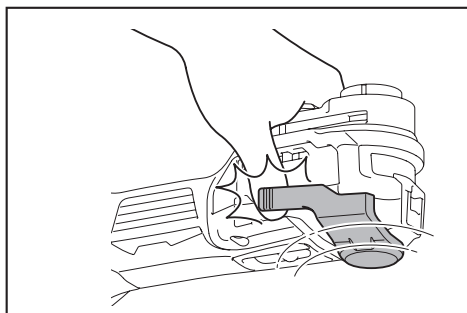
### Accesorio opcional

**⚠ADVERTENCIA:** No instale la pieza de aplicación al revés. Instalar la pieza de aplicación al revés podría dañar la herramienta y causar lesiones personales graves.

**⚠PRECAUCIÓN:** Limpie el polvo y lubrique la parte móvil de la palanca de bloqueo de vez en cuando. De lo contrario, se podría acumular polvo en la parte móvil de la palanca de bloqueo y dificultar su movimiento uniforme.

**⚠PRECAUCIÓN:** Tenga cuidado al cerrar la palanca de bloqueo.

Sostenga la herramienta firmemente al instalar o quitar la pieza de aplicación. No coloque su mano alrededor de la posición original de la palanca de bloqueo. La palanca de bloqueo podría cerrarse súbitamente y pellizcarle un dedo.

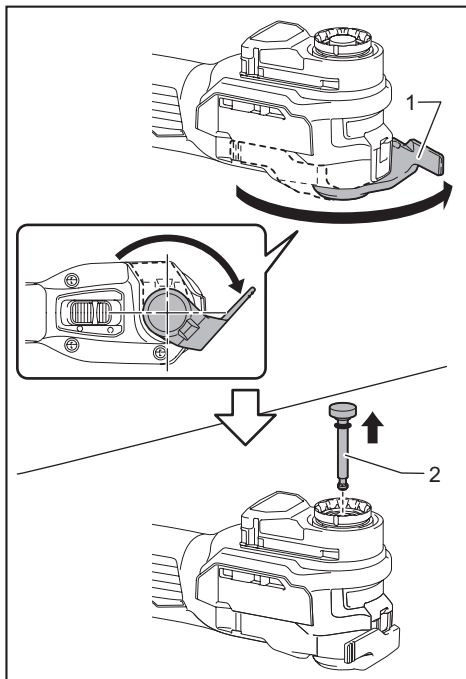


**AVISO:** Instale la pieza de aplicación en la dirección correcta de acuerdo con el trabajo que vaya a efectuar. La pieza de aplicación puede instalarse en un ángulo con intervalos de 30 grados.

**AVISO:** No arranque la herramienta mientras la palanca esté en la posición abierta. Podría dañarse la herramienta.

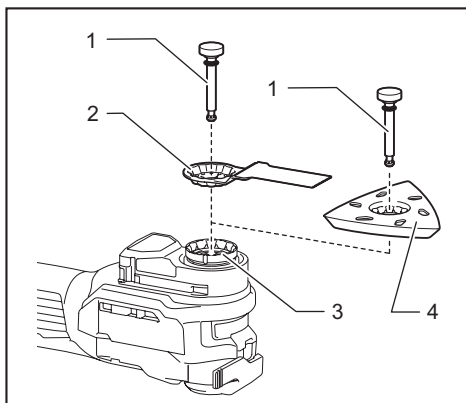
1. Abra la palanca de bloqueo por completo, hasta que suene un clic. Extraiga el perno sujetador.

Cuando la palanca de bloqueo esté completamente abierta, la posición de la palanca de bloqueo se mantiene incluso si suelta la mano.



► 1. Palanca de bloqueo 2. Perno sujetador

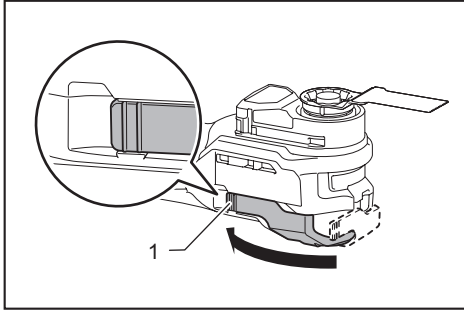
2. Coloque una pieza de aplicación (accesorio opcional) en la brida de la pieza. Luego, inserte el perno sujetador hasta que se detenga.



► 1. Perno sujetador 2. Pieza de aplicación 3. Brida de la pieza 4. Pieza de aplicación (almohadilla de lijado)

3. Regrese la palanca de bloqueo a su posición original.

Asegúrese siempre de que la pieza de aplicación esté firmemente sostenida en su sitio.



► 1. Palanca de bloqueo

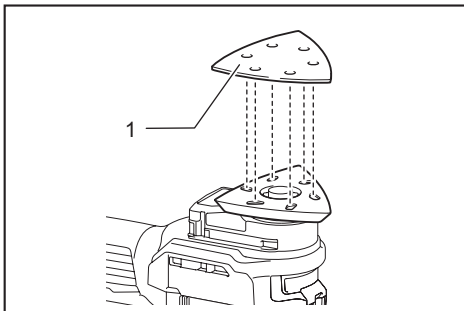
Para extraer la pieza de aplicación, siga los procedimientos de instalación en orden inverso.

**⚠PRECAUCIÓN:** Cuando retire la pieza de aplicación, no la toque ni la pieza de trabajo inmediatamente después de la operación; estas podrían estar muy calientes y provocarle quemaduras en la piel.

## Uso de la pieza de aplicación de lijado

Al usar la pieza de aplicación para lijado, coloque la herramienta sobre la almohadilla de lijado de tal forma que corresponda con la dirección para lijar de ésta. La almohadilla de lijado cuenta con sistema en empujón de gancho y ojal el cual facilita una colocación rápida del papel de lijado.

Debido a que el papel de lijado cuenta con orificios para la extracción de polvo, coloque un papel de lijado cuyos orificios en éste correspondan con los de la almohadilla de lijado.



► 1. Papel de lijado

Para quitar el papel de lijado, levante su extremo y despréndalo.

## OPERACIÓN

**⚠ADVERTENCIA:** Antes de arrancar la herramienta, así como durante la operación, mantenga sus manos y rostro alejados de la pieza de aplicación.

**⚠PRECAUCIÓN:** No aplique una carga excesiva a la herramienta ya que esto podría causar que el motor se bloquee y la herramienta se detenga.

**⚠PRECAUCIÓN:** No opere la herramienta presionando el cartucho de batería contra la herramienta.

**AVISO:** Si opera la herramienta con fuerza o presión excesiva, la alerta de sobrecarga podría activarse, y la amplitud de la vibración aumentaría.

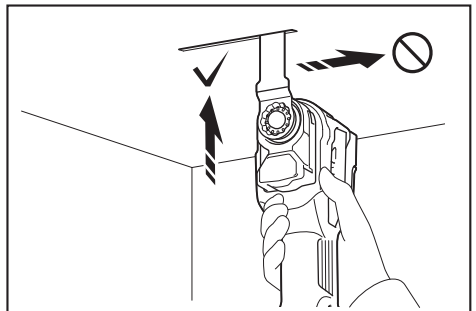
En este caso, una vez que se aísla la pieza de aplicación de la pieza de trabajo, la velocidad de oscilación retrocede. Continúe la operación con la carga apropiada.

## Cortado, aserrado y raspado

**AVISO:** No fuerce el movimiento de la herramienta en la dirección que no tiene borde de corte de la pieza de aplicación (p.ej. hacia alguno de los lados). Esto podría dañar la herramienta.

**AVISO:** Opere la herramienta con la carga apropiada. Forzar o aplicar presión excesiva sobre la herramienta puede reducir su eficiencia.

Especialmente cuando se opera la herramienta con una hoja larga (por ejemplo, una hoja de sierra de corte de inmersión), aplicar demasiada presión hasta que la hoja se doble no solo reduce la eficiencia, sino que también activa el sistema de protección.



Coloque la pieza de aplicación sobre la pieza de trabajo.

Luego mueva la herramienta hacia adelante de tal forma que el movimiento de la pieza de aplicación no pierda velocidad.

**NOTA:** Antes de la operación de corte, es recomendable preajustar la tasa de ciclo orbital entre 4 y 6.

**NOTA:** Una velocidad de movimiento adecuada de la herramienta hace que el polvo de sierra sea expulsado suavemente. Esto ayuda a una operación eficiente.

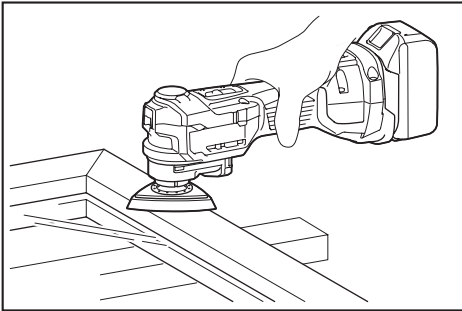
**NOTA:** Se recomienda la sierra redonda para cortes largos en línea recta.

## Lijado

**AVISO:** Para lijar madera, no reutilice papel de lijado que se haya usado para lijar metal.

**AVISO:** No use papel de lijado desgastado ni papel de lijado sin grano.

Coloque un papel de lijado sobre la pieza de trabajo.



**NOTA:** Antes de la operación, se recomienda determinar una tasa de ciclo orbital adecuada al lijar una muestra de material de prueba como ensayo.

**NOTA:** Se recomienda no cambiar el tipo de grano del papel de lijado hasta que no termine de lijar toda la superficie de la pieza de trabajo. Cambiar el grano del papel de lijado a la mitad del trabajo podría ocasionar un acabado no fino.

## Aditamento de polvo para la operación de lijado

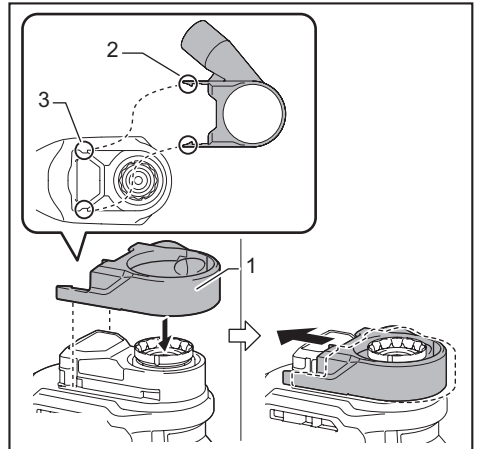
### Accesorio opcional

**PRECAUCIÓN:** No utilice el aditamento de extracción de polvo cuando lije metal. Succiónar chispas y partículas calientes produce humo e ignición.

### Instalación del aditamento de polvo

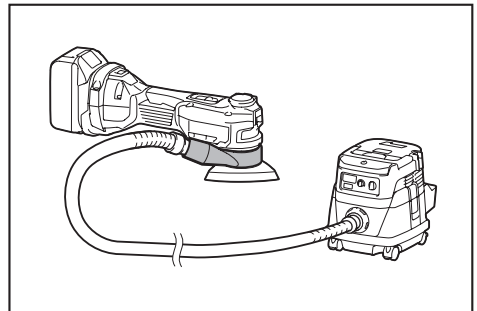
1. Retire el perno sujetador y la pieza de aplicación.
2. Coloque el aditamento de polvo con las trabas alineadas con las muescas de la herramienta.

Deslice el aditamento de polvo, como se muestra en la ilustración.



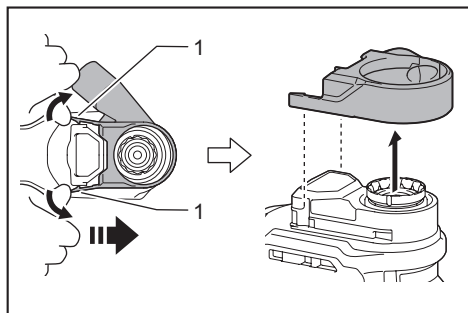
► 1. Aditamento de polvo 2. Traba 3. Muesca

3. Instale la almohadilla de lijado y el perno sujetador.
4. Conecte la manguera de la aspiradora al aditamento de extracción de polvo.



## Extracción del aditamento de polvo

1. Cuando extraiga el aditamento de polvo, extraiga el perno sujetador y la almohadilla de lijado.
2. Deslice el aditamento de polvo mientras abre las trabas con las manos como se muestra en la ilustración, y luego extraiga el aditamento de polvo de la herramienta.



► 1. Traba

- Raspador (flexible)
- Hoja segmentado dentado
- Cortador de juntas en general
- Removedor HM
- Hoja de sierra segmentado HM
- Placa de lijado HM
- Hoja de sierra segmentado de diamante
- Almohadilla de lijado
- Papel delta abrasivo (rojo/blanco/negro)
- Felpa delta (medio/áspero/sin grano)
- Filtro delta para pulido
- Aditamento de extracción de polvo
- Batería y cargador originales de Makita

**NOTA:** Algunos de los artículos en la lista pueden incluirse en el paquete de la herramienta como accesorios estándar. Éstos pueden variar de país a país.

## GARANTÍA LIMITADA DE MAKITA

### Ésta Garantía no aplica para México

Consulte la hoja de la garantía anexa para ver los términos más vigentes de la garantía aplicable a este producto. En caso de no disponer de esta hoja de garantía anexa, consulte los detalles sobre la garantía descritos en el sitio web de su país respectivo indicado a continuación.

Estados Unidos de América: [www.makitatools.com](http://www.makitatools.com)

Canadá: [www.makita.ca](http://www.makita.ca)

Otros países: [www.makita.com](http://www.makita.com)

## MANTENIMIENTO

**⚠PRECAUCIÓN:** Asegúrese siempre de que la herramienta esté apagada y el cartucho de batería extraído antes de intentar realizar una inspección o mantenimiento.

**AVISO:** Nunca use gasolina, bencina, diluyente (tíner), alcohol o sustancias similares. Puede que esto ocasione grietas o descoloramiento.

Para mantener la SEGURIDAD y FIABILIDAD del producto, las reparaciones, y cualquier otra tarea de mantenimiento o ajuste deberán ser realizadas en centros de servicio autorizados o de fábrica Makita, empleando siempre repuestos Makita.

## ACCESORIOS OPCIONALES

**⚠PRECAUCIÓN:** Estos accesorios o aditamentos están recomendados para utilizarse con su herramienta Makita especificada en este manual. El empleo de cualquier otro accesorio o aditamento puede conllevar el riesgo de lesiones personales. Utilice los accesorios o aditamentos solamente para su fin establecido.

Si necesita cualquier ayuda para más detalles en relación con estos accesorios, pregunte a su centro de servicio local Makita.

- Hoja de sierra segmentado
- Hoja de sierra circular
- Hoja de sierra de corte de inmersión
- Raspador (rígido)





< USA only >

# WARNING

Some dust created by power sanding, sawing, grinding, drilling, and other construction activities contains chemicals known to the State of California to cause cancer, birth defects or other reproductive harm. Some examples of these chemicals are:

- lead from lead-based paints,
- crystalline silica from bricks and cement and other masonry products, and
- arsenic and chromium from chemically-treated lumber.

Your risk from these exposures varies, depending on how often you do this type of work. To reduce your exposure to these chemicals: work in a well ventilated area, and work with approved safety equipment, such as those dust masks that are specially designed to filter out microscopic particles.

< Sólo en los Estados Unidos >

# ADVERTENCIA

Algunos polvos creados por el lijado, aserrado, esmerilado, taladrado y otras actividades de la construcción contienen sustancias químicas reconocidas por el Estado de California como causantes de cáncer, defectos de nacimiento y otros peligros de reproducción. Algunos ejemplos de estos productos químicos son:

- plomo de pinturas a base de plomo,
- sílice cristalino de ladrillos y cemento y otros productos de albañilería, y
- arsénico y cromo de maderas tratadas químicamente.

El riesgo al que se expone varía, dependiendo de la frecuencia con la que realice este tipo de trabajo. Para reducir la exposición a estos productos químicos: trabaje en un área bien ventilada y póngase el equipo de seguridad indicado, tal como las máscaras contra polvo que están especialmente diseñadas para filtrar partículas microscópicas.

**Makita Corporation**

3-11-8, Sumiyoshi-cho,  
Anjo, Aichi 446-8502 Japan

[www.makita.com](http://www.makita.com)

885866-932  
DTM52-1  
EN, FRCA, ESMX  
20201215